

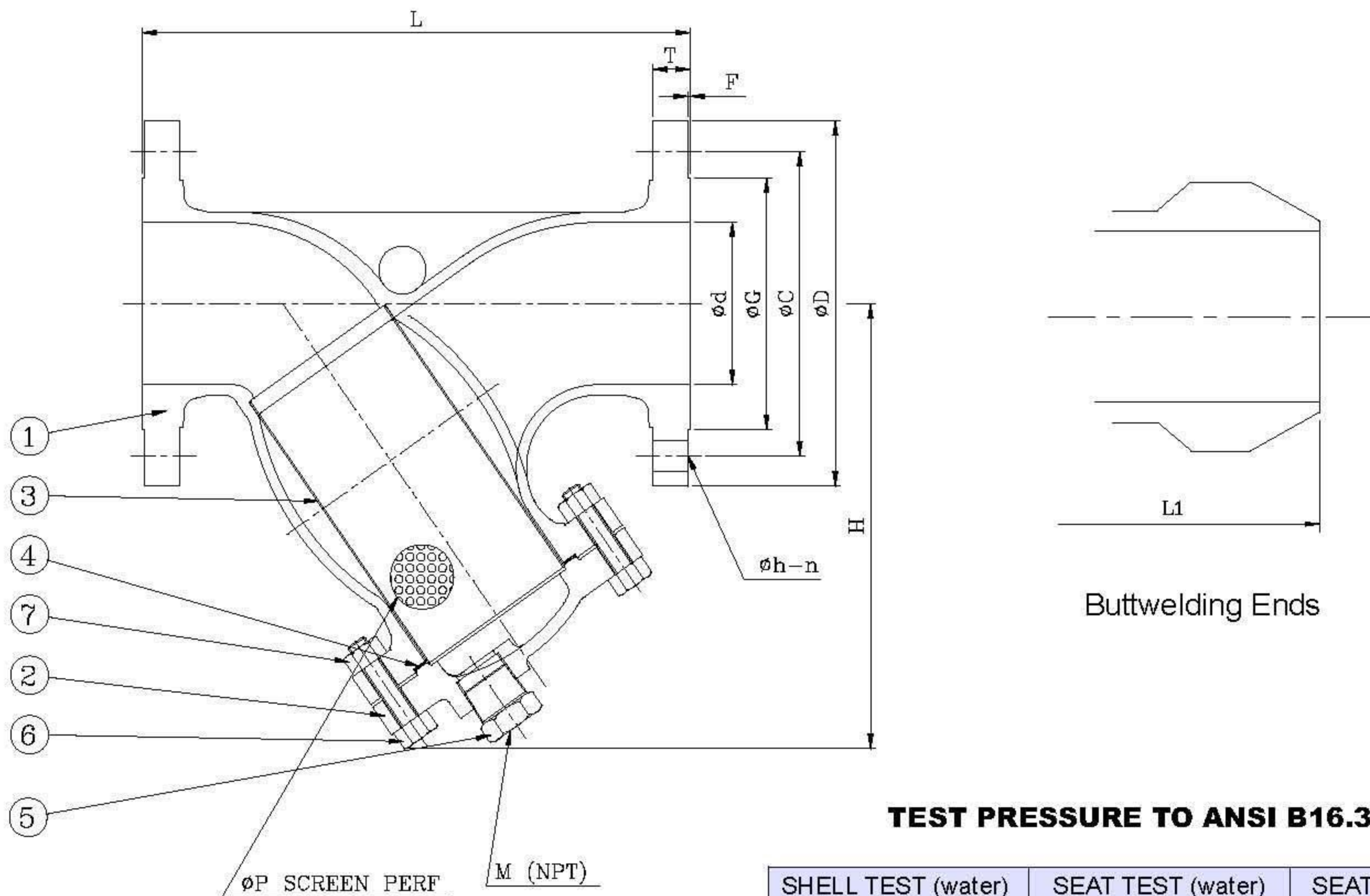
# CAST STEEL Y-STRAINER – ANSI CLASS 300

## DESIGN DESCRIPTION:

- Y-PATTERN
- BOLTED COVER WITH DRAIN PLUG
- PERFORATED STAINLESS STEEL SCREEN
- FLANGED ENDS
- BUTTWELDING ENDS

## APPLICABLE STANDARDS:

- SHELL WALL THICKNESS, ANSI B16.34
- PRESSURE-TEMPERATURE RATING, ANSI B16.34
- END FLANGES, ANSI B16.5
- BUTTWELDING ENDS, ANSI B16.25



## TEST PRESSURE TO ANSI B16.34

	PSIG	
SHELL TEST (water)	SEAT TEST (water)	SEAT TEST (air)
1125 ( 79 kg/cm <sup>2</sup> )	—	—

## PARTS AND MATERIAL (ASTM)

NO.	PARTS NAME	MATERIALS		
		WCB	LCB	WC6
1	Body	A216-WCB	A352-LCB	A217-WC6
2	Cover	A216-WCB	A352-LCB	A217-WC6
3	Screen	A240-304		
4	Gasket	Grafoil+316 Sheet		
5	Plug	A276-304		
6	Cover Bolt	A193-B7		
7	Cover Bolt Nut	A194-2H		

## DIMENSION TABLE:

DN	NPS	Ø d	L&L1	H	T	F	Ø D	Ø C	Ø G	Ø h	n	M	Ø P	
													Oil	Steam
15	1/2	12.7	130	100.0	14.3	1.6	95.3	66.5	35.1	16.0	4	1/2	1.2	0.5
20	3/4	19.0	150	100.0	15.8	1.6	117.4	82.6	43.0	19.0	4	1/2	1.2	0.5
25	1	25.4	160	110.0	17.5	1.6	124.0	88.9	50.8	19.0	4	1/2	1.2	0.5
40	1 1/2	38.1	200	140.0	20.6	1.6	155.5	114.3	73.2	22.3	4	1/2	1.2	0.5
50	2	50.8	230	169.4	22.4	1.6	165.1	127.0	92.0	19.0	8	1/2	1.2	0.5
80	3	76.2	310	230.5	28.5	1.6	209.6	168.1	127.0	22.3	8	3/4	1.2	0.5
100	4	101.6	350	278.6	31.8	1.6	254.0	200.2	157.2	22.3	8	3/4	1.2	0.5
150	6	152.4	480	369.3	36.6	1.6	317.5	269.8	215.9	22.3	12	1	3.2	1.0
200	8	203.2	600	440.2	41.2	1.6	381.0	330.2	269.8	25.4	12	1	3.2	1.0
250	10	254.0	730	530.0	47.8	1.6	444.5	387.4	323.9	28.5	16	1 1/2	3.2	1.0
300	12	304.8	850	650.0	50.8	1.6	520.7	450.9	381.0	31.8	16	1 1/2	3.2	1.0

OTHER MATERIALS ARE AVAILABLE UPON REQUEST.