

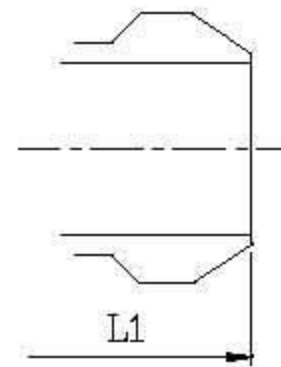
CAST STEEL GLOBE VALVES – ANSI CLASS 600

DESIGN DESCRIPTION:

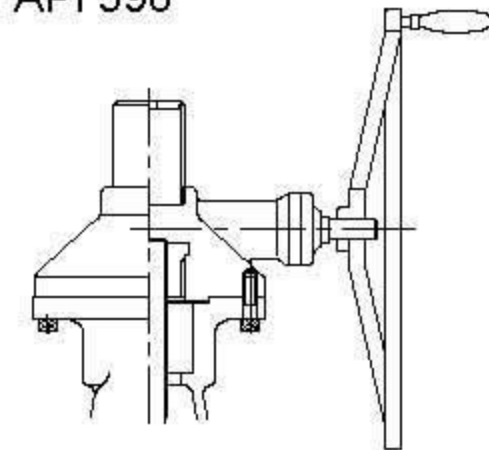
- OUTSIDE SCREW AND YOKE
- BOLTED BONNET
- RISING STEM AND HANDWHEEL (IMPACT HAMMER HANDWHEEL FOR 6" & OVER.)
- YOKE INTEGRAL WITH BONNET
- LOOSE DISC
- RENEWABLE SEAT RING
- AVAILABLE WITH GEAR OPERATOR
- FLANGED ENDS
- BUTTWELDING ENDS

APPLICABLE STANDARDS:

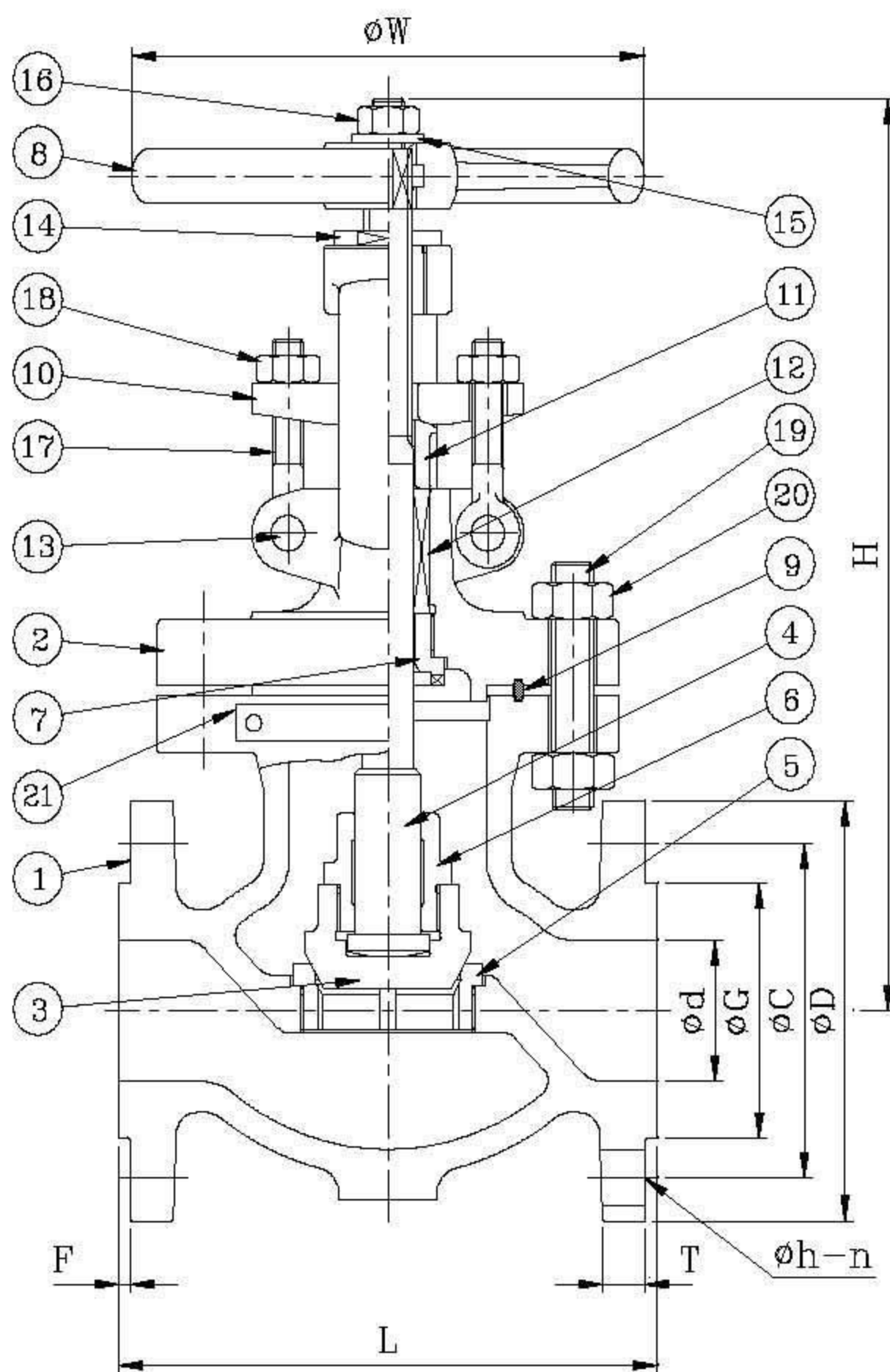
- STEEL VALVES, ANSI B16.34
- FACE TO FACE, ANSI B16.10
- END FLANGES, ANSI B16.5
- BUTTWELDING ENDS, ANSI B16.25
- INSPECTION AND TEST, API 598



Buttwelding Ends



Available With Gear Operator



PARTS AND MATERIAL (ASTM)

NO.	PARTS NAME	MATERIALS		
		WCB	WC6	LCB
1	Body	A216-WCB	A217-WC6	A352-LCB
2	Bonnet	A216-WCB	A217-WC6	A352-LCB
3	Disc	A216-WCB+H/F 410	A217-WC6+H/F 410	A352-LCB+H/F 410
4	Stem	A276-410		
5	Seat	A105+ H/F STL#6	A182-F11+H/F STL#6	A350-LF2+H/F STL#6
6	Disc Nut	A276-410		
7	Back Seat	A276-410		
8	Hand Wheel	A47 / A536		
9	Gasket	Soft Iron		
10	Gland Flange	A216-WCB		
11	Gland	A276-410		
12	Gland Packing	Graphite		
13	Eye Bolt Pin	A276-410		
14	Stem Nut	A439-D2		
15	Washer	A36+Zn Plate		
16	Wheel Nut	A194-2H		
17	Eye Bolt	A193-B7		
18	Eye Bolt Nut	A194-2H		
19	Bonnet Bolt	A193-B7	A193-B7	A193-B7M
20	Bonnet Bolt Nut	A194-2H	A194-2H	A194-2H
21	Name Plate	A666-304		

OTHER MATERIALS ARE AVAILABEL UPON REQUEST.

TEST PRESSURE TO API 598

PSIG

SHELL TEST (water)	SEAT TEST (water)	SEAT TEST (air)
2250 (156 kg/cm ²)	1628 (77 kg/cm ²)	80 (6 kg/cm ²)

DIMENSION TABLE:

DN	NPS	Ød	L & L1	H	H(OPEN)	ØW	T	F	ØD	ØC	ØG	Øh	n	WT.(Kg)
50	2	50.8	292	430	445	250	25.4	6.4	165.1	127.0	92.0	19.0	8	41
65	2 1/2	63.5	330	500	520	250	28.5	6.4	190.5	149.4	104.7	22.3	8	61
80	3	76.2	356	530	565	300	31.8	6.4	209.6	168.2	127.0	22.3	8	79
100	4	101.6	432	650	677	400	38.1	6.4	273.1	215.9	157.2	25.4	8	126
150	6	152.4	559	50	890	580	47.8	6.4	355.6	292.1	215.9	28.5	12	260
200	8	200.2	660	1050	1120	600	55.6	6.4	419.1	349.3	269.8	31.8	12	410
250	10	247.7	787	1257	1340	650	63.5	6.4	508.0	431.8	323.9	35.0	16	625
300	12	298.0	838	1468	1570	650	66.6	6.4	558.8	489.0	381.0	35.0	20	860