

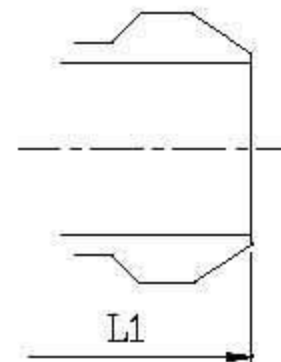
CAST STAINLESS STEEL GLOBE VALVES – ANSI CLASS 300

DESIGN DESCRIPTION:

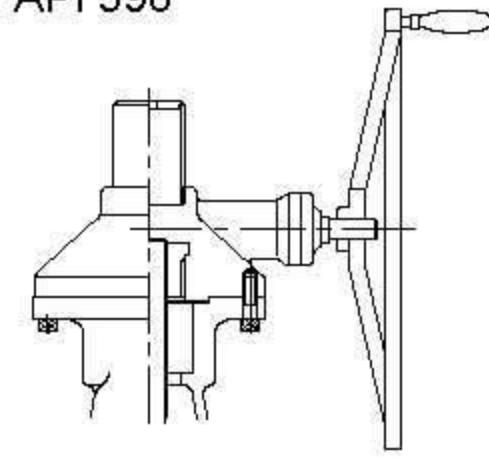
- OUTSIDE SCREW AND YOKE
- BOLTED BONNET
- RISING STEM AND HANDWHEEL (IMPACT-HAMMER HANDWHEEL FOR 8" & OVER.)
- YOKE INTEGRAL WITH BONNET
- LOOSE DISC
- INTEGRAL SEAT AND BACK SEAT
- AVAILABLE WITH GEAR OPERATOR
- FLANGED ENDS
- BUTTWELDING ENDS

APPLICABLE STANDARDS:

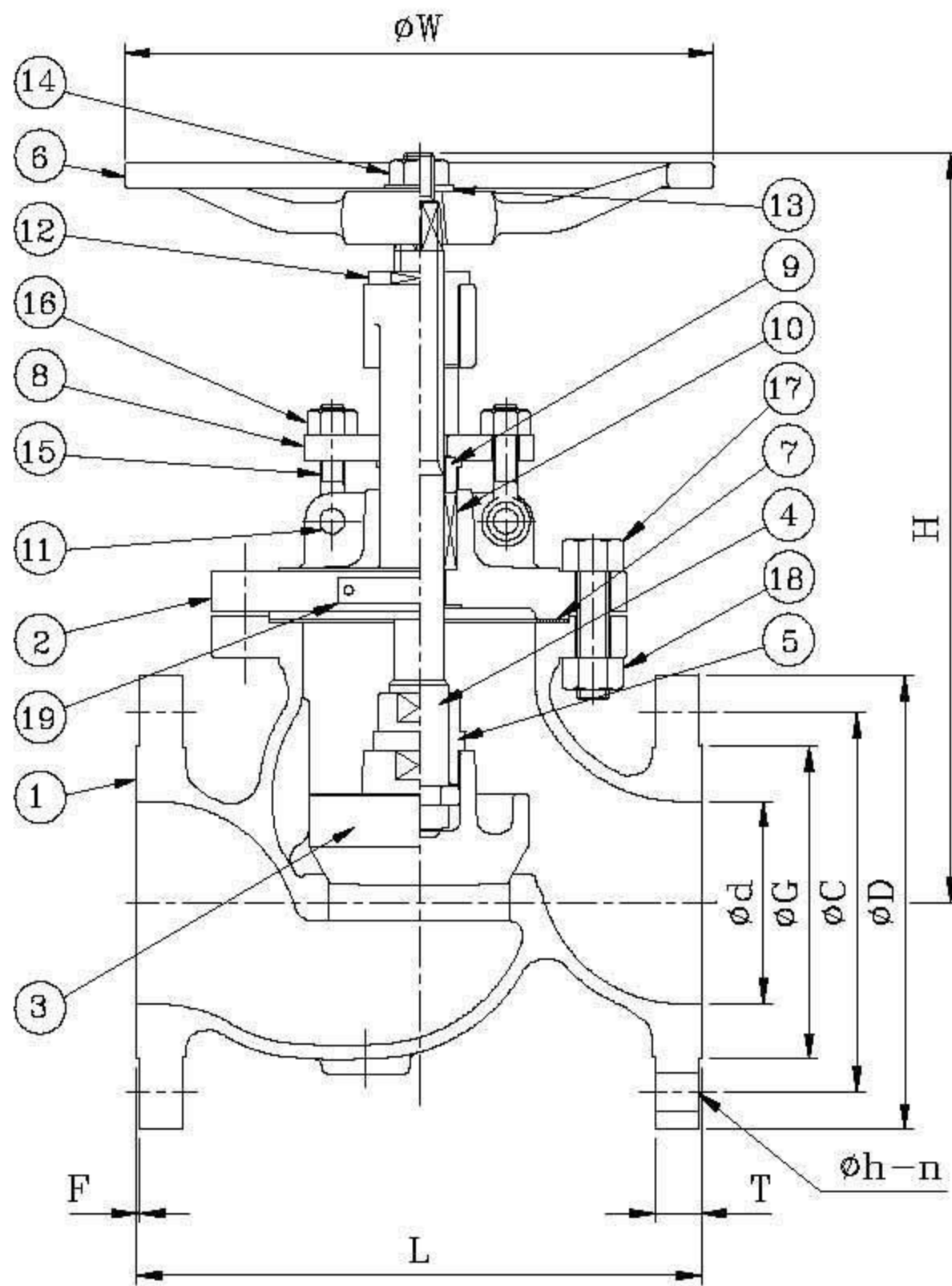
- STEEL VALVES, ANSI B16.34
- FACE TO FACE, ANSI B16.10
- END FLANGES, ANSI B16.5
- BUTTWELDING ENDS, ANSI B16.25
- INSPECTION AND TEST, API 598



Buttwelding Ends



Available With Gear Operator



PARTS AND MATERIAL (ASTM)

NO.	PARTS NAME	MATERIALS		
		CF8	CF8M	CF3M
1	Body	A351-CF8	A351-CF8M	A351-CF3M
2	Bonnet	A351-CF8	A351-CF8M	A351-CF3M
3	Disc	A351-CF8	A351-CF8M	A351-CF3M
4	Stem	A182-F304	A182-F316	A182-F316L
5	Disc Nut	A276-304	A276-316	A276-316L
6	Hand Wheel	A47 / A536		
7	Gasket	304 Spiralwound	316 Spiralwound	316L Spiralwound
8	Gland Flange	A351-CF8		
9	Gland	A351-CF8M		
10	Gland Packing	PTFE / Graphite		
11	Eye Bolt Pin	A276-304		
12	Stem Nut	A439-D2 / A276-410		
13	Washer	A240-304		
14	Wheel Nut	AISI 304		
15	Eye Bolt	A193-B8		
16	Eye Bolt Nut	A194-8		
17	Bonnet Bolt	A193-B8		
18	Bonnet Bolt Nut	A194-8		
19	Name Plate	A666-304		

OTHER MATERIALS ARE AVAILABLE UPON REQUEST.

TEST PRESSURE TO API 598

PSIG

SHELL TEST (water)	SEAT TEST (water)	SEAT TEST (air)
1125 (79 kg/cm ²)	814 (57 kg/cm ²)	80 (6 kg/cm ²)

DIMENSION TABLE:

DN	NPS	Ød	L & L1	H	H(OPEN)	ØW	T	F	ØD	ØC	ØG	Øh	n	WT.(Kg)
15	1/2	12.7	152	223	230	100	14.3	1.6	95.3	66.5	35.1	16.0	4	6.5
20	3/4	19.0	178	234	240	100	15.8	1.6	117.4	82.6	43.0	19.0	4	8.5
25	1	25.4	203	250	260	150	17.5	1.6	124.0	88.9	50.8	19.0	4	12
40	1 1/2	38.1	229	335	350	200	20.6	1.6	155.5	114.3	73.2	22.3	4	18
50	2	50.8	267	405	422	200	22.4	1.6	165.1	127.0	92.0	19.0	8	26
65	2 1/2	63.5	292	445	468	250	25.4	1.6	190.5	149.4	104.7	22.3	8	41
80	3	76.2	318	490	520	300	28.5	1.6	209.6	168.1	127.0	22.3	8	55
100	4	101.6	356	567	607	300	31.8	1.6	254.0	200.2	157.2	22.3	8	86
150	6	152.4	445	732	784	400	36.6	1.6	317.5	269.8	215.9	22.3	12	176
200	8	203.2	559	797	868	500	41.2	1.6	381.0	330.2	269.8	25.4	12	280
250	10	254.0	622	973	1042	600	47.8	1.6	444.5	387.4	323.9	28.5	16	420
300	12	304.8	711	1030	1140	700	50.8	1.6	520.7	450.9	381.0	31.8	16	645