

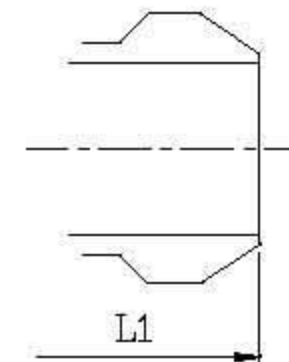
# CAST STAINLESS STEEL GLOBE VALVES – ANSI CLASS 150

## DESIGN DESCRIPTION:

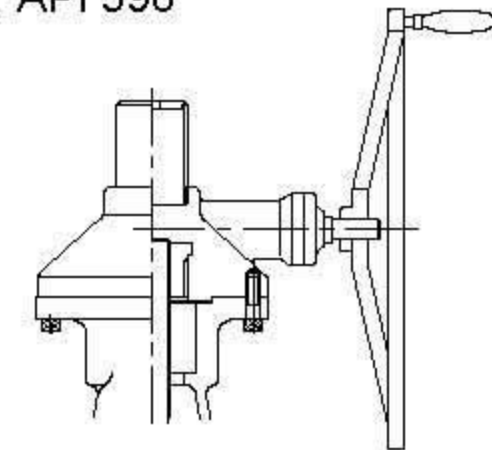
- OUTSIDE SCREW AND YOKE
- BOLTED BONNET
- RISING STEM AND HANDWHEEL (IMPACT-HAMMER HANDWHEEL FOR 10" & OVER.)
- YOKE INTEGRAL WITH BONNET
- LOOSE DISC
- INTEGRAL SEAT AND BACK SEAT
- AVAILABLE WITH GEAR OPERATOR
- FLANGED ENDS
- BUTTWELDING ENDS

## APPLICABLE STANDARDS:

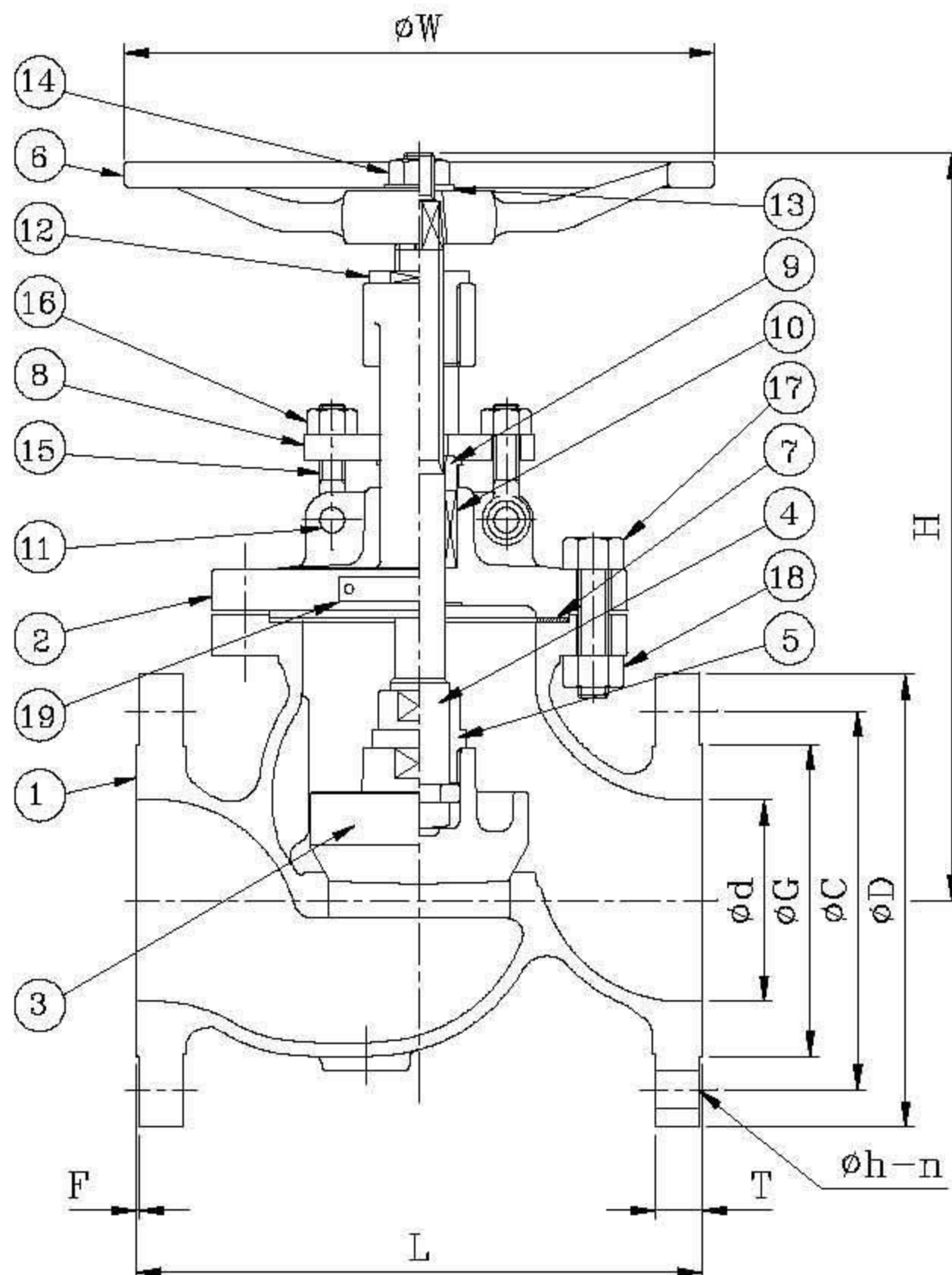
- STEEL VALVES, ANSI B16.34
- FACE TO FACE, ANSI B16.10
- END FLANGES, ANSI B16.5
- BUTTWELDING ENDS, ANSI B16.25
- INSPECTION AND TEST, API 598



Buttwelding Ends



Available With Gear Operator



## PARTS AND MATERIAL (ASTM)

NO.	PARTS NAME	MATERIALS		
		CF8	CF8M	CF3M
1	Body	A351-CF8	A351-CF8M	A351-CF3M
2	Bonnet	A351-CF8	A351-CF8M	A351-CF3M
3	Disc	A351-CF8	A351-CF8M	A351-CF3M
4	Stem	A182-F304	A182-F316	A182-F316L
5	Disc Nut	A276-304	A276-316	A276-316L
6	Hand Wheel	A47 / A536		
7	Gasket	PTFE / Grafoil+316 Sheet		
8	Gland Flange	A351-CF8		
9	Gland	A351-CF8M		
10	Gland Packing	PTFE / Graphite		
11	Eye Bolt Pin	A276-304		
12	Stem Nut	A439-D2 / A276-410		
13	Washer	A240-304		
14	Wheel Nut	AISI 304		
15	Eye Bolt	A193-B8		
16	Eye Bolt Nut	A194-8		
17	Bonnet Bolt	A193-B8		
18	Bonnet Bolt Nut	A194-8		
19	Name Plate	A666-304		

OTHER MATERIALS ARE AVAILABLE UPON REQUEST.

## TEST PRESSURE TO API 598

	PSIG		
SHELL TEST (water)	SEAT TEST (water)	SEAT TEST (air)	
450 ( 32 kg/cm <sup>2</sup> )	314 ( 22 kg/cm <sup>2</sup> )	80 ( 6 kg/cm <sup>2</sup> )	

## DIMENSION TABLE:

DN	NPS	Ød	L & L1	H	H(OPEN)	ØW	T	F	ØD	ØC	ØG	Øh	n	WT.(Kg)
15	1/2	12.7	108	193	200	100	10.0	1.6	88.9	60.5	35.1	16.0	4	5.5
20	3/4	19.0	117	198	213	100	10.5	1.6	98.6	69.9	43.0	16.0	4	7.5
25	1	25.4	127	231	248	100	11.2	1.6	108.0	79.2	50.8	16.0	4	11
40	1 1/2	38.1	165	262	280	200	14.3	1.6	127.0	98.6	73.2	16.0	4	15
50	2	50.8	203	286	319	200	15.8	1.6	152.4	120.7	92.0	19.0	4	18
65	2 1/2	63.5	216	312	341	250	17.5	1.6	177.8	139.7	104.7	19.0	4	23
80	3	76.2	241	344	380	250	19.1	1.6	190.5	152.4	127.0	19.0	4	29
100	4	101.6	292	376	416	300	23.9	1.6	228.6	190.5	157.2	19.0	8	48
150	6	152.4	406	467	535	400	25.4	1.6	279.4	241.3	215.9	22.3	8	85
200	8	203.2	495	545	614	450	28.5	1.6	342.9	298.5	269.8	22.3	8	130
250	10	254.0	622	650	735	550	30.3	1.6	406.4	362.0	323.9	25.4	12	205
300	12	304.8	699	727	822	600	31.8	1.6	482.6	431.8	381.0	25.4	12	336