

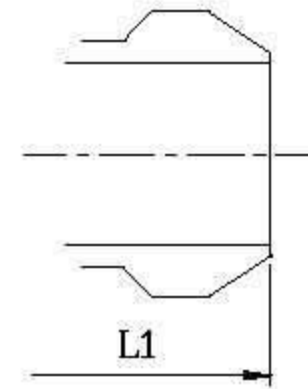
CAST STEEL GATE VALVES – ANSI CLASS 900

DESIGN DESCRIPTION:

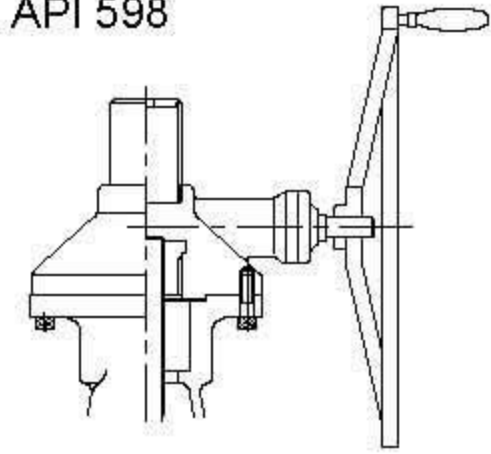
- OUTSIDE SCREW AND YOKE
- BOLTED BONNET
- FLEXIBLE WEDGE, FULLY GUIDED
- RENEWABLE SEAT RINGS
- RISING STEM AND NON-RISING HANDWHEEL
- AVAILABLE WITH GEAR OPERATOR
- FLANGED ENDS
- BUTTWELDING ENDS

APPLICABLE STANDARDS:

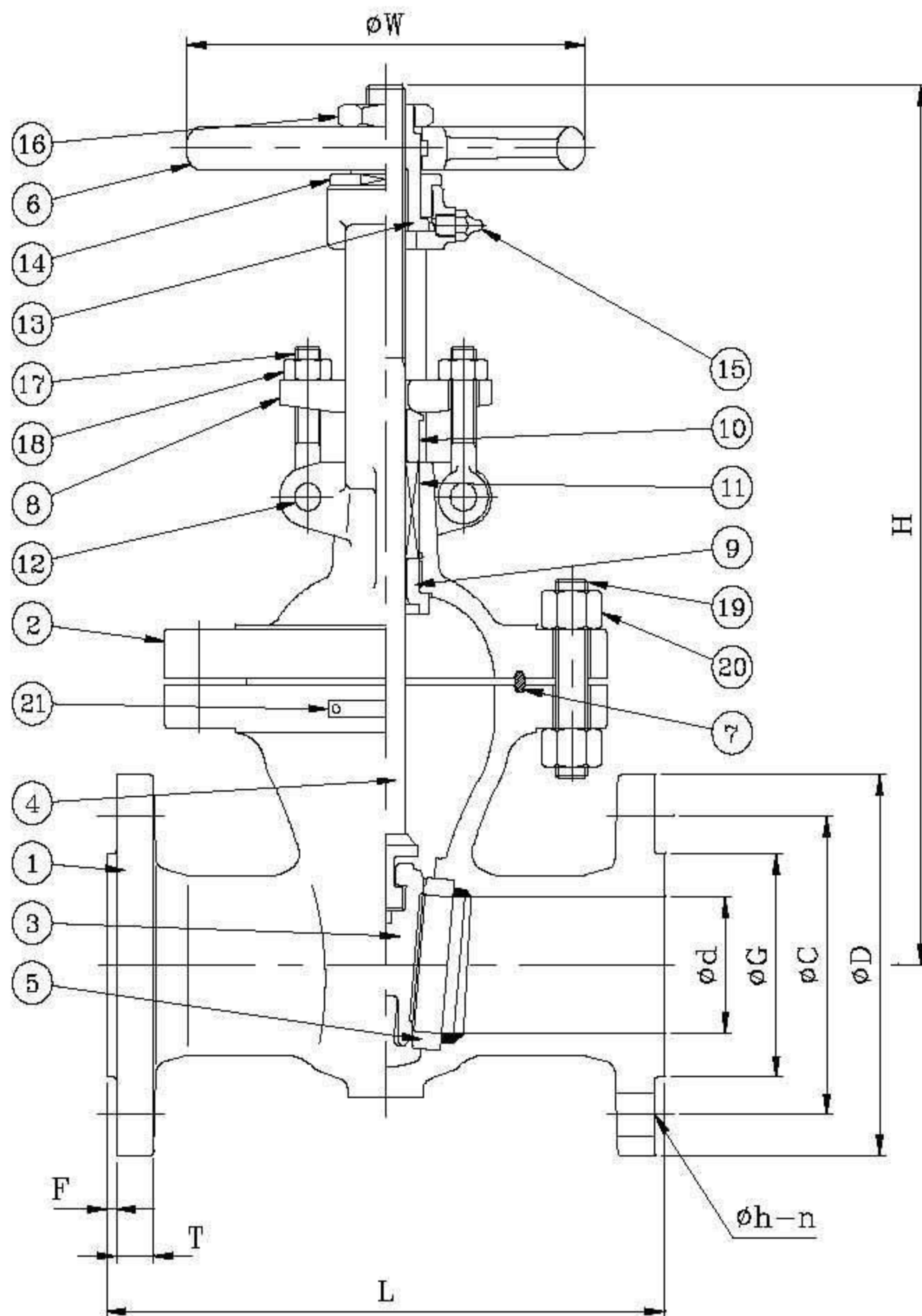
- STEEL GATE VALVES, API 600
- STEEL VALVES, ANSI B16.34
- FACE TO FACE, ANSI B16.10
- END FLANGES, ANSI B16.5
- BUTTWELDING ENDS, ANSI B16.25
- INSPECTION AND TEST, API 598



Buttwelding Ends



Available With Gear Operator



PARTS AND MATERIAL (ASTM)

NO.	PARTS NAME	MATERIALS		
		WCB	WC6	LCB
1	Body	A216-WCB	A217-WC6	A352-LCB
2	Bonnet	A216-WCB	A217-WC6	A352-LCB
3	Disc	A216-WCB+H/F 410	A217-WC6+H/F 410	A352-LCB+H/F 410
4	Stem	A182-F6a		
5	Seat	A105+ H/F STL#6	A182-F11+H/F STL#6	A350-LF2+H/F STL#6
6	Hand Wheel	A47 / A536		
7	Gasket	Soft-Iron		
8	Gland flange	A216-WCB		
9	Bonnet Bush	A276-410		
10	Gland	A276-410		
11	Gland packing	Graphite		
12	Eye Bolt Pin	A276-410		
13	Stem Nut	A439-D2		
14	Retainer Nut	A36		
15	Nipple	Brass		
16	Wheel Nut	A36		
17	Eye Bolt	A193-B7		
18	Eye Bolt Nut	A194-2H		
19	Bonnet Bolt	A193-B7	A193-B7	A193-B7M
20	Bonnet Bolt Nut	A194-2H	A194-2H	A194-2HM
21	Name Plate	A666-304		

OTHER MATERIALS ARE AVAILABLE UPON REQUEST.

TEST PRESSURE TO API 598

PSIG

SHELL TEST (water)	SEAT TEST (water)	SEAT TEST (air)
3350 (235 kg/cm ²)	2442 (171 kg/cm ²)	80 (6 kg/cm ²)

DIMENSION TABLE:

DN	NPS	Ød	L & L1	H	H(OPEN)	ØW	T	F	ØD	ØC	ØG	Øh	n	WT.(Kg)
50	2	47.8	368	548	615	300	38.1	6.4	215.9	165.1	92.0	25.4	8	59
65	2 1/2	57.2	419	580	658	350	41.1	6.4	244.3	190.5	104.7	28.5	8	86
80	3	73.2	381	666	760	350	38.1	6.4	241.3	190.5	127.0	25.4	8	115
100	4	98.6	457	748	868	400	44.5	6.4	292.1	235.0	157.2	31.8	8	198
150	6	146.1	610	860	1005	450	55.6	6.4	381.0	317.5	215.9	31.8	12	407
200	8	190.5	737	948	1120	600	63.5	6.4	469.9	393.7	269.8	38.1	12	725
250	10	238.3	838	1062	1340	650	69.9	6.4	546.1	469.9	323.9	38.1	16	1091
300	12	282.4	965	1217	1550	700	79.2	6.4	609.6	533.4	381.0	38.1	20	1629