

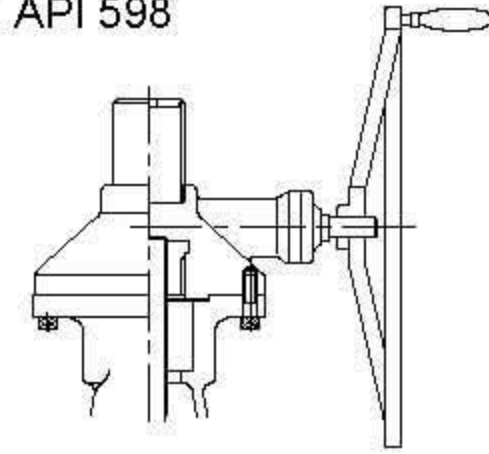
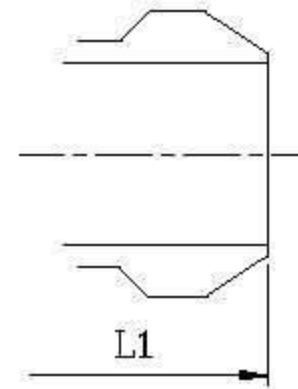
CAST STEEL GATE VALVES – ANSI CLASS 300

DESIGN DESCRIPTION:

- OUTSIDE SCREW AND YOKE
- BOLTED BONNET
- FLEXIBLE WEDGE, FULLY GUIDED
- RENEWABLE SEAT RINGS
- RISING STEM AND NON-RISING HANDWHEEL
- AVAILABLE WITH GEAR OPERATOR
- FLANGED ENDS
- BUTTWELDING ENDS

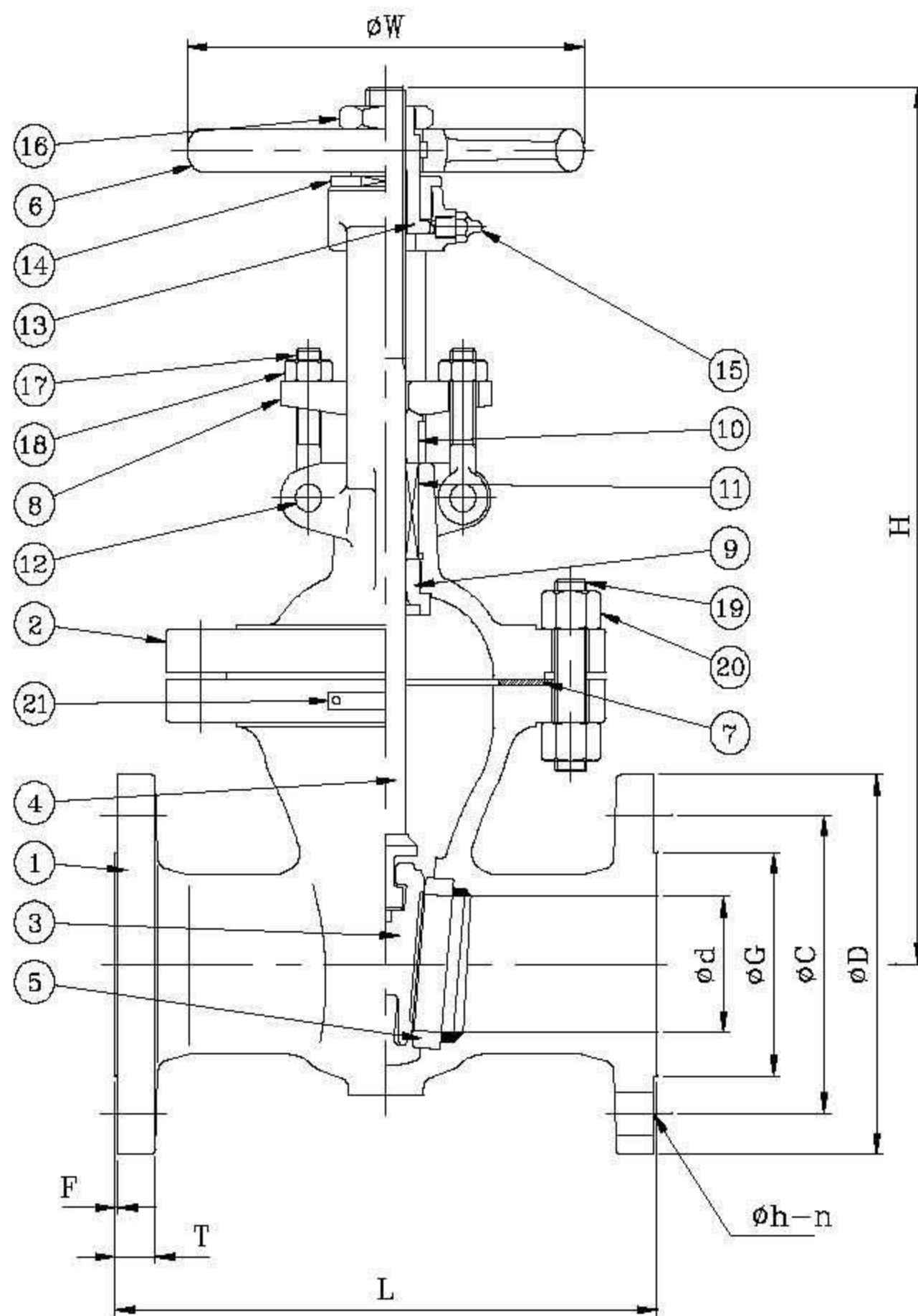
APPLICABLE STANDARDS:

- STEEL GATE VALVES, API 600
- STEEL VALVES, ANSI B16.34
- FACE TO FACE, ANSI B16.10
- END FLANGES, ANSI B16.5
- BUTTWELDING ENDS, ANSI B16.25
- INSPECTION AND TEST, API 598



Buttwelding Ends

Available With Gear Operator



PARTS AND MATERIAL (ASTM)

NO.	PARTS NAME	MATERIALS		
		WCB	WC6	LCB
1	Body	A216-WCB	A217-WC6	A352-LCB
2	Bonnet	A216-WCB	A217-WC6	A352-LCB
3	Disc	A216-WCB+H/F 410	A217-WC6+H/F 410	A352-LCB+H/F 410
4	Stem	A182-F6a		
5	Seat	A105+ H/F STL#6	A182-F11+H/F STL#6	A350-LF2+H/F STL#6
6	Hand Wheel	A47 / A536		
7	Gasket	304 Spiralwound / Grafoil Filler		
8	Gland flange	A216-WCB		
9	Bonnet Bush	A276-410		
10	Gland	A276-410		
11	Gland packing	Graphite		
12	Eye Bolt Pin	A276-410		
13	Stem Nut	A439-D2		
14	Retainer Nut	A36		
15	Nipple	Brass		
16	Wheel Nut	A36		
17	Eye Bolt	A307 B		
18	Eye Bolt Nut	A194-2H		
19	Bonnet Bolt	A193-B7	A193-B7	A193-B7M
20	Bonnet Bolt Nut	A194-2H	A194-2H	A194-2HM
21	Name Plate	A666-304		

OTHER MATERIALS ARE AVAILABLE UPON REQUEST.

TEST PRESSURE TO API 598

	PSIG		
SHELL TEST (water)	SEAT TEST (water)	SEAT TEST (air)	
1125 (79 kg/cm ²)	814 (57 kg/cm ²)	80 (6 kg/cm ²)	

DIMENSION TABLE:

DN	NPS	Ød	L & L1	H	H(OPEN)	ØW	T	F	ØD	ØC	ØG	Øh	n	WT.(Kg)
50	2	50.8	216	400	460	200	22.4	1.6	165.1	127.0	92.0	19.0	8	27
65	2 1/2	63.5	241	432	510	250	25.4	1.6	190.5	149.4	104.7	22.3	8	40
80	3	76.2	282	463	550	250	28.5	1.6	209.6	168.1	127.0	22.3	8	47
100	4	101.6	305	508	624	300	31.8	1.6	254.0	200.2	157.2	22.3	8	72
150	6	152.4	403	675	840	350	36.6	1.6	317.5	269.8	215.9	22.3	12	140
200	8	203.2	419	822	1043	400	41.2	1.6	381.0	330.2	269.8	25.4	12	223
250	10	254.0	457	1025	1290	450	47.8	1.6	444.5	387.4	323.9	28.5	16	348
300	12	304.8	502	1272	1588	500	50.8	1.6	520.7	450.9	381.0	31.8	16	577
350	14	336.6	762	1458	1820	600	53.9	1.6	584.2	514.4	412.8	31.8	20	710
400	16	387.4	838	1614	2032	700	57.2	1.6	647.7	571.5	469.9	35.0	20	1038
450	18	438.2	914	1738	2208	800	60.5	1.6	711.2	628.7	533.4	35.0	24	1227
500	20	489.0	991	1990	2512	900	63.5	1.6	774.7	685.8	584.2	35.0	24	1640
600	24	590.6	1143	2268	2896	1000	69.9	1.6	914.4	812.8	692.2	41.0	24	2302