

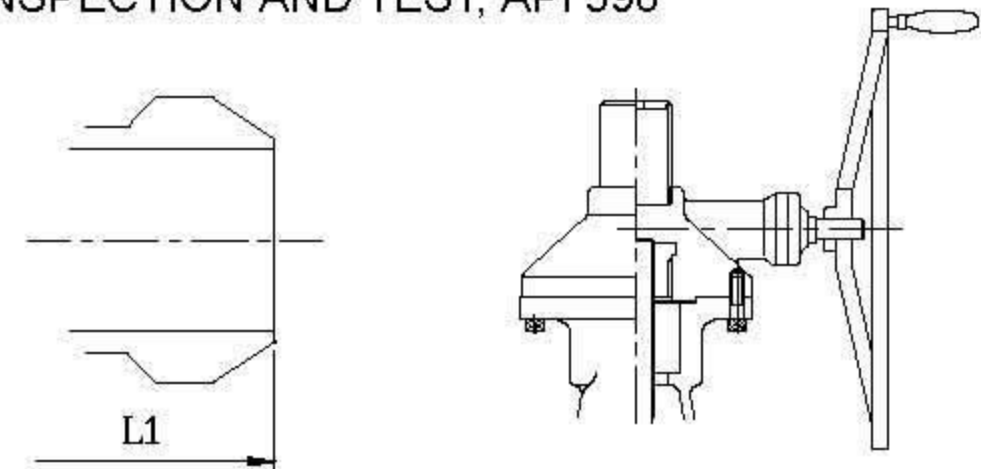
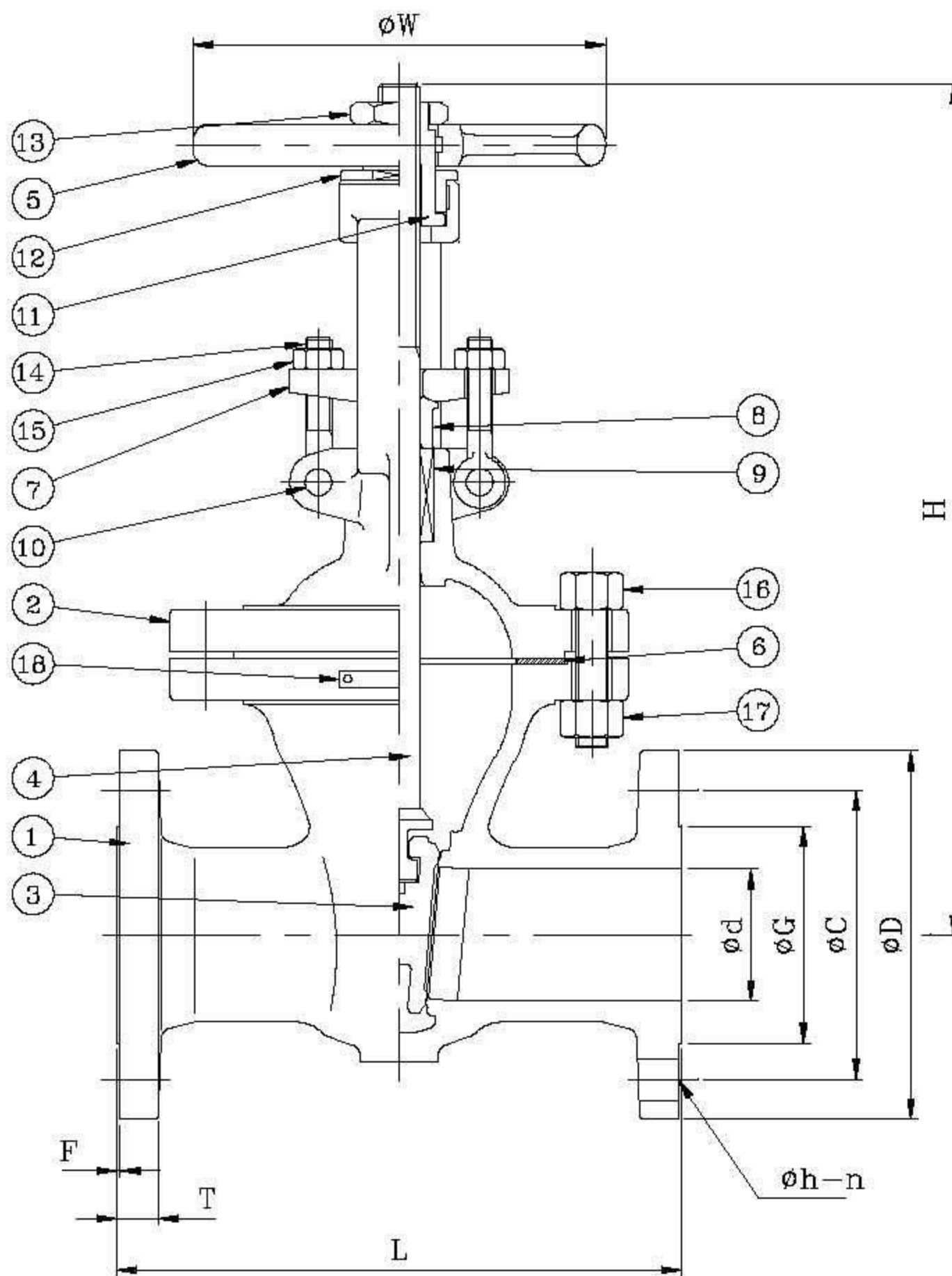
# CAST STAINLESS STEEL GATE VALVES – ANSI CLASS 300

## DESIGN DESCRIPTION:

- OUTSIDE SCREW AND YOKE
- BOLTED BONNET
- FLEXIBLE WEDGE, FULLY GUIDED
- INTEGRAL SEATS
- RISING STEM AND NON-RISING HANDWHEEL
- AVAILABLE WITH GEAR OPERATOR
- FLANGED ENDS
- BUTTWELDING ENDS

## APPLICABLE STANDARDS:

- STEEL VALVES, ANSI B16.34
- FACE TO FACE, ANSI B16.10
- END FLANGES, ANSI B16.5
- BUTTWELDING ENDS, ANSI B16.25
- INSPECTION AND TEST, API 598



Buttwelding Ends

Available With Gear Operator

## PARTS AND MATERIAL (ASTM)

NO.	PARTS NAME	MATERIALS		
		CF8	CF8M	CF3M
1	Body	A351-CF8	A351-CF8M	A351-CF3M
2	Bonnet	A351-CF8	A351-CF8M	A351-CF3M
3	Disc	A351-CF8	A351-CF8M	A351-CF3M
4	Stem	A182-F304	A182-F316	A182-F316L
5	Hand Wheel	A47 / A536		
6	Gasket	304 Spiralwound	316 Spiralwound	316L Spiralwound
7	Gland flange	A351-CF8		
8	Gland	A351-CF8M		
9	Gland packing	PTFE / Graphite		
10	Eye Bolt Pin	A276-304		
11	Stem Nut	A439-D2 / Bronze		
12	Retainer Nut	A351-CF8		
13	Wheel Nut	B16		
14	Eye Bolt	A193-B8		
15	Eye Bolt Nut	A194-8		
16	Bonnet Bolt	A193-B8		
17	Bonnet Bolt Nut	A194-8		
18	Name Plate	A666-304		

OTHER MATERIALS ARE AVAILABLE UPON REQUEST.

## TEST PRESSURE TO API 598

PSIG

SHELL TEST (water)	SEAT TEST (water)	SEAT TEST (air)
1125 ( 79 kg/cm <sup>2</sup> )	814 ( 57 kg/cm <sup>2</sup> )	80 ( 6 kg/cm <sup>2</sup> )

## DIMENSION TABLE:

DN	NPS	Ød	L & L1	H	H(OPEN)	ØW	T	F	ØD	ØC	ØG	Øh	n	WT.(Kg)
15	1/2	12.7	140	365	380	100	14.3	1.6	95.3	66.5	35.1	16.0	4	6
20	3/4	19.0	152	390	410	100	15.8	1.6	117.4	82.6	43.0	19.0	4	8
25	1	25.4	165	394	420	150	17.5	1.6	124.0	88.9	50.8	19.0	4	10
40	1 1/2	38.1	191	398	442	200	20.6	1.6	155.5	114.3	73.2	22.3	4	17
50	2	50.8	216	400	460	200	22.4	1.6	165.1	127.0	92.0	19.0	8	27
65	2 1/2	63.5	241	432	510	250	25.4	1.6	190.5	149.4	104.7	22.3	8	43
80	3	76.2	282	463	550	250	28.5	1.6	209.6	168.1	127.0	22.3	8	47
100	4	101.6	305	508	624	300	31.8	1.6	254.0	200.2	157.2	22.3	8	72
150	6	152.4	403	675	840	350	36.6	1.6	317.5	269.8	215.9	22.3	12	140
200	8	203.2	419	822	1043	400	41.2	1.6	381.0	330.2	269.8	25.4	12	223
250	10	254.0	457	1025	1290	450	47.8	1.6	444.5	387.4	323.9	28.5	16	348
300	12	304.8	502	1272	1588	500	50.8	1.6	520.7	450.9	381.0	31.8	16	577
350	14	336.6	762	1458	1820	600	53.9	1.6	584.2	514.4	412.8	31.8	20	710
400	16	387.4	838	1614	2032	700	57.2	1.6	647.7	571.5	469.9	35.0	20	1038
450	18	438.2	914	1738	2208	800	60.5	1.6	711.2	628.7	533.4	35.0	24	1227
500	20	489.0	991	1990	2512	900	63.5	1.6	774.7	685.8	584.2	35.0	24	1640
600	24	590.6	1143	2268	2896	1000	69.9	1.6	914.4	812.8	692.2	41.0	24	2302