

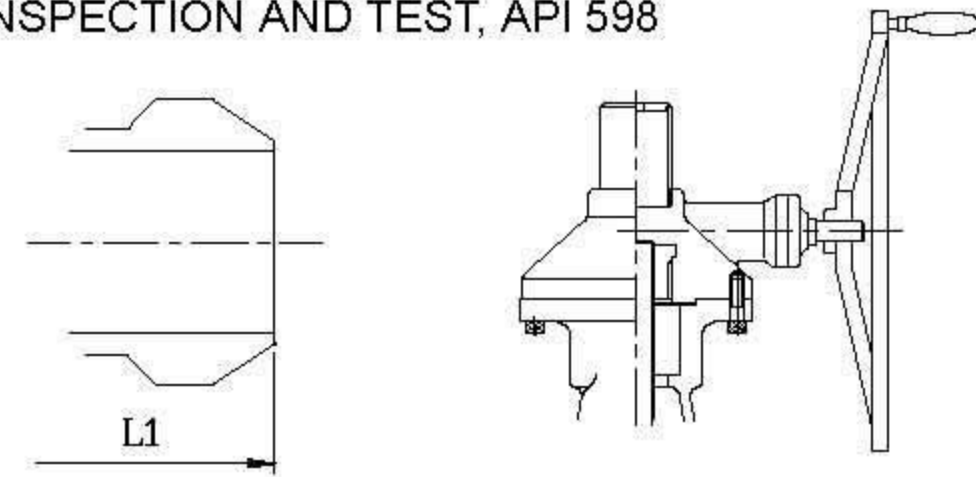
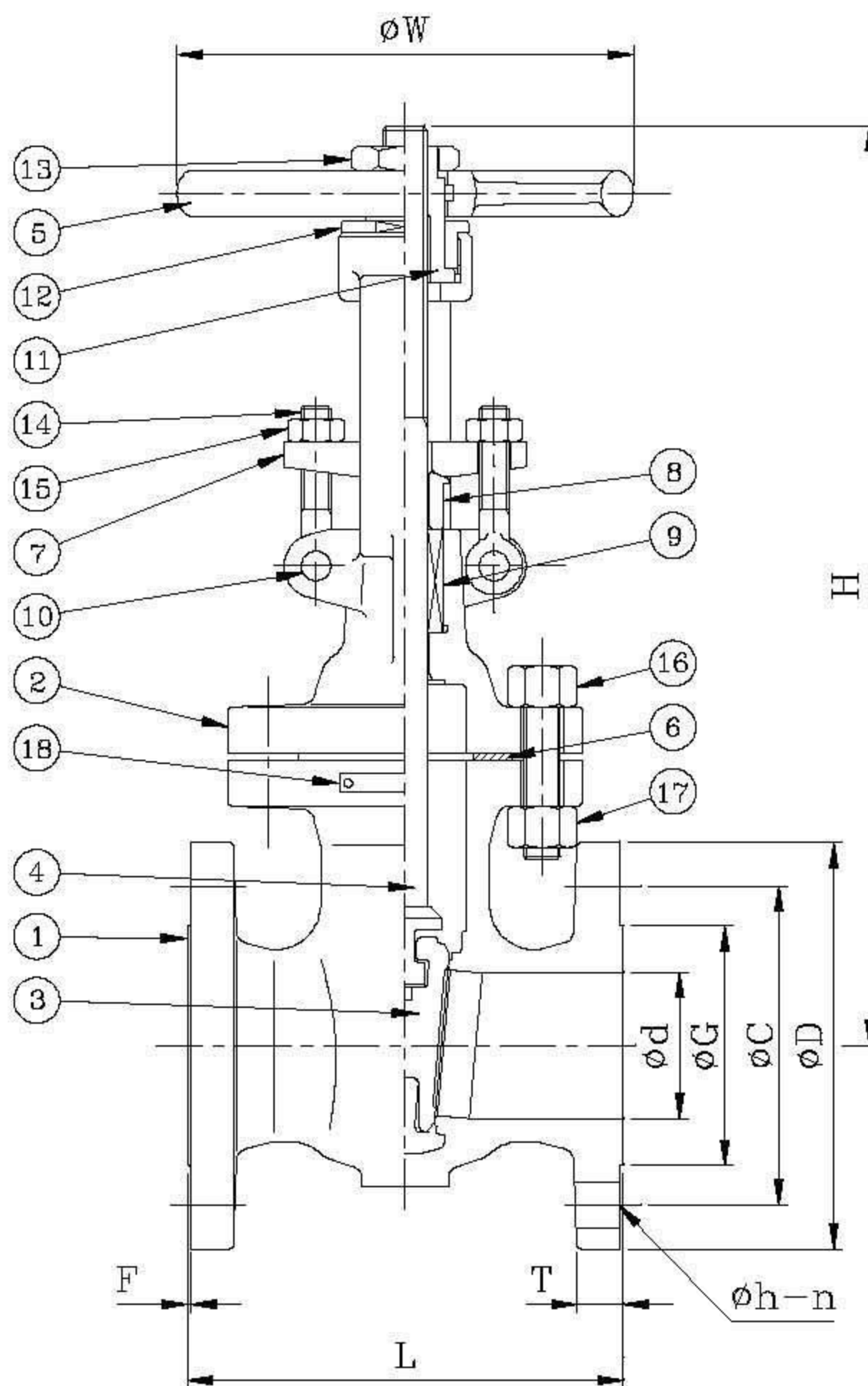
# CAST STAINLESS STEEL GATE VALVES – ANSI CLASS 150

## DESIGN DESCRIPTION:

- OUTSIDE SCREW AND YOKE
- BOLTED BONNET
- FLEXIBLE WEDGE, FULLY GUIDED
- INTEGRAL SEATS
- RISING STEM AND NON-RISING HANDWHEEL
- AVAILABLE WITH GEAR OPERATOR
- FLANGED ENDS
- BUTTWELDING ENDS

## APPLICABLE STANDARDS:

- GATE VALVES, API 603
- STEEL VALVES, ANSI B16.34
- FACE TO FACE, ANSI B16.10
- END FLANGES, ANSI B16.5
- BUTTWELDING ENDS, ANSI B16.25
- INSPECTION AND TEST, API 598



Buttwelding Ends Available With Gear Operator

## PARTS AND MATERIAL (ASTM)

NO.	PARTS NAME	MATERIALS		
		CF8	CF8M	CF3M
1	Body	A351-CF8	A351-CF8M	A351-CF3M
2	Bonnet	A351-CF8	A351-CF8M	A351-CF3M
3	Disc	A351-CF8	A351-CF8M	A351-CF3M
4	Stem	A182-F304	A182-F316	A182-F316L
5	Hand Wheel	A47 / A536		
6	Gasket	PTFE / Grafoil+316 Sheet		
7	Gland flange	A351-CF8		
8	Gland	A351-CF8M		
9	Gland packing	PTFE / Graphite		
10	Eye Bolt Pin	A276-304		
11	Stem Nut	A439-D2 / Bronze		
12	Retainer Nut	A351-CF8		
13	Wheel Nut	B16		
14	Eye Bolt	A193-B8		
15	Eye Bolt Nut	A194-8		
16	Bonnet Bolt	A193-B8		
17	Bonnet Bolt Nut	A194-8		
18	Name Plate	A666-304		

OTHER MATERIALS ARE AVAILABLE UPON REQUEST.

## TEST PRESSURE TO API 598

PSIG

SHELL TEST (water)	SEAT TEST (water)	SEAT TEST (air)
450 ( 32 kg/cm <sup>2</sup> )	314 ( 22 kg/cm <sup>2</sup> )	80 ( 6 kg/cm <sup>2</sup> )

## DIMENSION TABLE:

DN	NPS	Ød	L	L1	H	H <sub>(OPEN)</sub>	ØW	T	F	ØD	ØC	ØG	Øh	n	WT.(Kg)
15	1/2	12.7	108	108	184	202	100	10.0	1.6	88.9	60.5	35.1	16.0	4	4.5
20	3/4	19.0	117	117	195	220	100	10.5	1.6	98.6	69.9	43.0	16.0	4	6
25	1	25.4	127	127	208	238	100	11.2	1.6	108.0	79.2	50.8	16.0	4	7.5
40	1 1/2	38.1	165	165	236	286	150	14.3	1.6	127.0	98.6	73.2	16.0	4	11
50	2	50.8	178	216	278	338	150	15.8	1.6	152.4	120.7	92.0	19.0	4	13
65	2 1/2	63.5	191	241	322	398	150	17.5	1.6	177.8	139.7	104.7	19.0	4	19
80	3	76.2	203	282	366	455	200	19.1	1.6	190.5	152.4	127.0	19.0	4	25
100	4	101.6	229	305	430	545	250	23.9	1.6	228.6	190.5	157.2	19.0	8	38
150	6	152.4	267	403	572	740	300	25.4	1.6	279.4	241.3	215.9	22.3	8	63
200	8	203.2	292	419	727	943	300	28.5	1.6	342.9	298.5	269.8	22.3	8	112
250	10	254.0	330	457	873	1145	350	30.3	1.6	406.4	362.0	323.9	25.4	12	168
300	12	304.8	356	502	1025	1348	400	31.8	1.6	482.6	431.8	381.0	25.4	12	288
350	14	336.6	381	572	1138	1482	450	35.1	1.6	533.4	476.3	412.8	28.5	12	362
400	16	387.4	406	610	1279	1869	500	36.6	1.6	596.9	539.8	469.9	28.5	16	516
450	18	438.2	432	660	1492	1964	550	39.7	1.6	635.0	577.9	533.4	31.8	16	626
500	20	489.0	458	711	1612	2129	600	43.0	1.6	698.5	635.0	584.2	31.8	20	838
600	24	590.6	508	813	1936	2565	700	47.8	1.6	812.8	749.3	692.2	35.0	20	1120