

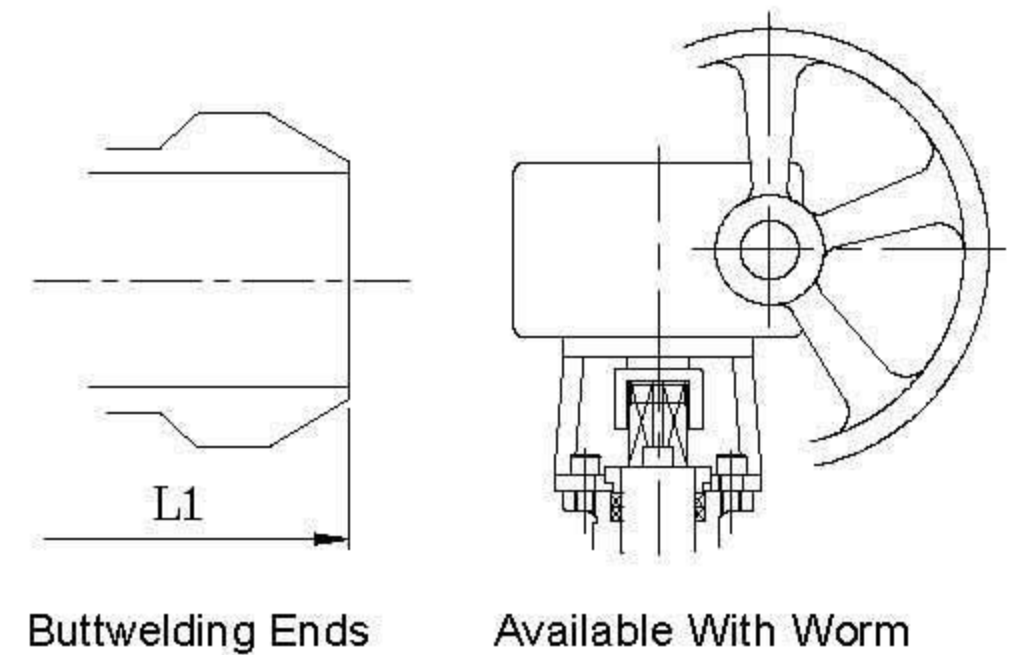
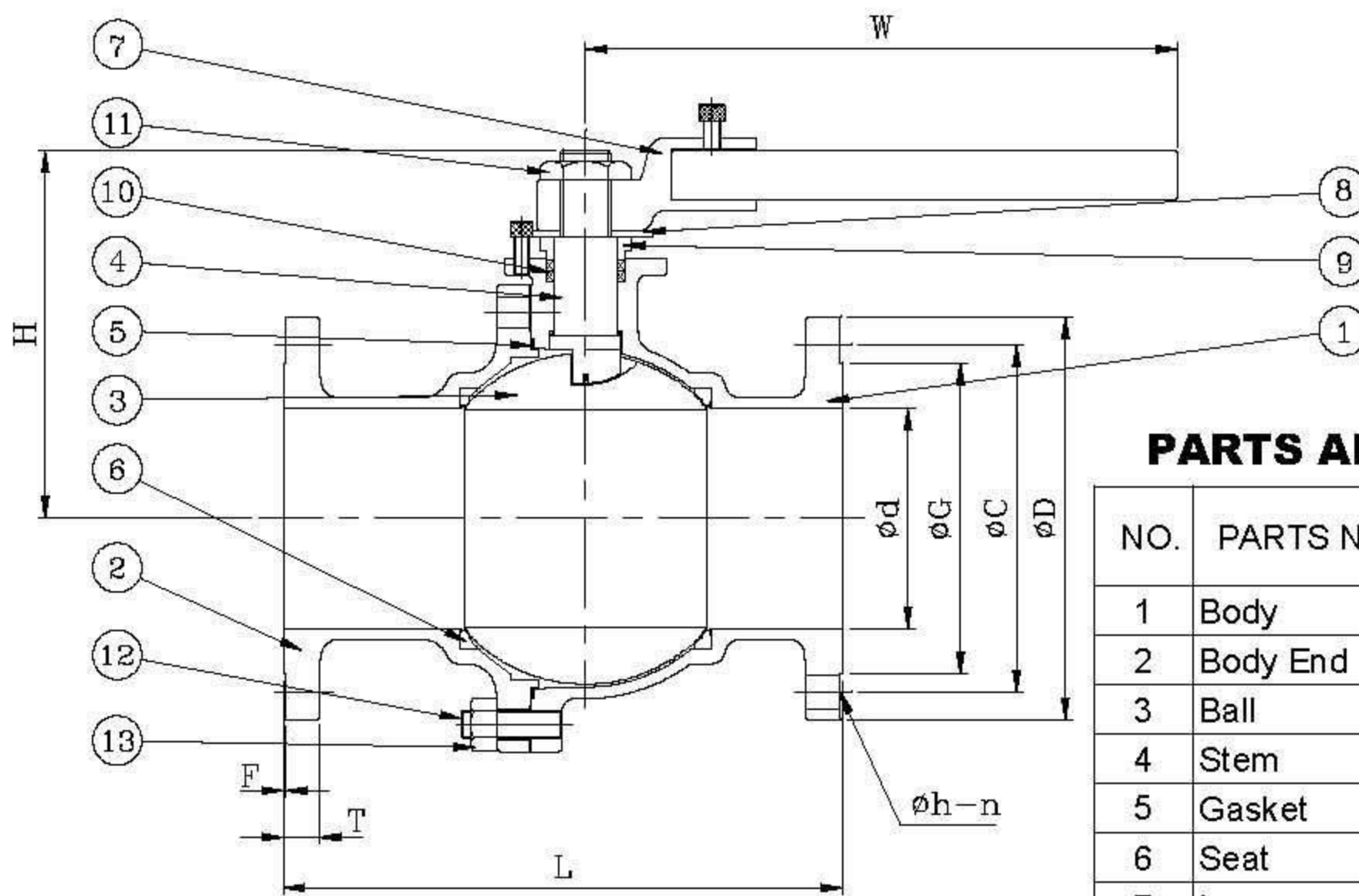
# CAST STEEL BALL VALVES – ANSI CLASS 150

## DESIGN DESCRIPTION:

- FULL PORT
- FIRE SAFE CONSTRUCTION
- TWO PIECE BODY
- FLOATING BALL TYPE
- ANTI-STATIC DEVICE
- BLOW OUT PROOF STEM
- STOPPER DEVICE
- ISO 5211 MOUNTING PAD
- FLANGE ENDS
- BUTTWELDING ENDS

## APPLICABLE STANDARDS:

- METAL BALL VALVES, API 608
- FIRE SAFE, API 607
- STEEL VALVES, ANSI B16.34
- FACE TO FACE, ANSI B16.10
- END FLANGES, ANSI B16.5
- BUTTWELDING ENDS, ANSI B16.25
- INSPECTION AND TEST, API 598



## PARTS AND MATERIAL (ASTM)

NO.	PARTS NAME	MATERIALS		
		WCB	CF8	CF8M
1	Body	A216-WCB	A351-CF8	A351-CF8M
2	Body End	A216-WCB	A351-CF8	A351-CF8M
3	Ball	A351-CF8	A351-CF8	A351-CF8M
4	Stem	A276-304	A276-304	A276-316
5	Gasket	Grafoil+316 Spiralwound		
6	Seat	RTFE		
7	Lever	A536		
8	Stopper	A240-304		
9	Gland Flange	A351-CF8		
10	Gland Packing	Grafoil		
11	Lever Nut	B16 / AISI 304		
12	Body Bolt	A193-B7	A193-B8	A193-B8
13	Nut	A194-2H	A194-8	A194-8

OTHER MATERIALS ARE AVAILABLE UPON REQUEST.

## TEST PRESSURE TO API 598

		PSIG	
SHELL TEST (water)	SEAT TEST (water)	SEAT TEST (air)	
450 (32 kg/cm <sup>2</sup> )	—	80 (6 kg/cm <sup>2</sup> )	

## DIMENSION TABLE:

DN	NPS	Ød	L	L1	H	W	T	F	ØD	ØC	ØG	Øh	n
15	1/2	12.7	108	140	54	130	10.0	1.6	88.9	60.5	35.1	16.0	4
20	3/4	19.0	117	152	60	130	10.5	1.6	98.6	69.9	43.0	16.0	4
25	1	25.4	127	165	68	130	11.2	1.6	108.0	79.2	50.8	16.0	4
40	1 1/2	38.1	165	191	85	230	14.3	1.6	127.0	98.6	73.2	16.0	4
50	2	50.8	178	216	110	230	15.8	1.6	152.4	120.7	92.0	19.0	4
65	2 1/2	63.5	191	241	146	350	17.5	1.6	177.8	139.7	104.7	19.0	4
80	3	76.2	203	282	156	350	19.1	1.6	190.5	152.4	127.0	19.0	4
100	4	101.6	229	305	192	400	23.9	1.6	228.6	190.5	157.2	19.0	8
150	6	152.4	394	457	260	800	25.4	1.6	279.4	241.3	215.9	22.3	8
200	8	203.2	457	521	317	1100	28.5	1.6	342.9	298.5	269.8	22.3	8
250	10	254.0	533	559	364	1200	30.3	1.6	406.4	362.0	323.9	25.4	12
300	12	304.8	610	635	G/0	G/0	31.8	1.6	482.6	431.8	381.0	25.4	12