

BV 14



MATERIAL

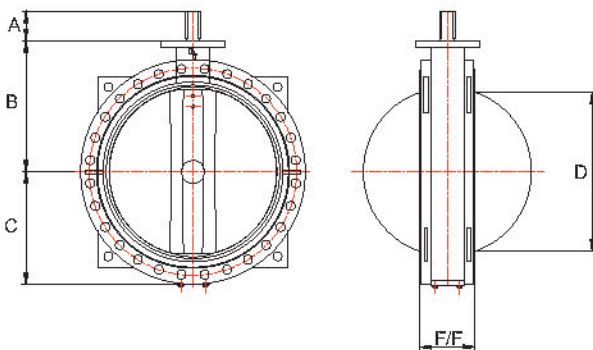
BV14 -XX XX X

Body		
Ductile iron	24	GGG40 Epoxy coated
Cast steel	44	A216 WCB
Stainless steel	63	CF8
Stainless steel	66	CF8M

Disc		
Alu - bronze	13	ASTM B148 C95400
Ductile iron	24	GGG40 Epoxy coated
Ductile iron	25	GGG40 Nickel plated
Ductile iron	26	GGG40 Halar plated
Ductile iron	27	GGG40 Nylon plated
Stainless steel	63	CF8
Stainless steel	66	CF8M
Stainless steel	69	CF8M polished

Seat	
EPDM	E
NBR	B
FKM/FPM	V
WHITE EPDM	WE

DIMENSIONS



DN	NPS	BV14				
		A	B	C	D	F/F
50	2	22,0	110,0	80,0	(*)	108,0
65	2 1/2	22,0	134,0	80,0	(*)	112,0
80	3	22,0	131,0	95,0	(*)	114,0
100	4	22,0	150,0	114,0	(*)	127,0
125	5	22,0	170,0	127,0	(*)	140,0
150	6	22,0	180,0	139,0	70,0	140,0
200	8	34,5	210,0	175,0	134,0	152,0
250	10	34,5	245,5	203,0	189,0	165,0
300	12	34,5	276,0	242,0	244,0	178,0
350	14	65,0	328,0	250,0	274,0	190,0
400	16	75,0	376,0	310,5	324,0	216,0
450	18	75,0	406,0	332,0	381,0	222,0
500	20	90,0	433,0	358,0	435,0	229,0
600	24	100,0	507,5	423,0	529,0	267,0
700	28	75,0	560,0	487,5	630,0	292,0
750	30	75,0	610,0	508,0	680,0	305,0
800	32	100,0	620,0	533,0	729,0	318,0
900	36	118,0	692,0	602,0	799,0	330,0
1000	40	140,0	735,0	656,0	873,0	410,0
1200	48	150,0	917,0	781,0	1057,0	470,0

Dimensions in mm
(*) For this size, the open disc dimension is covered by F/F

all dimensions are subject to revision without prior notice