

BV 13



MATERIAL

BV13

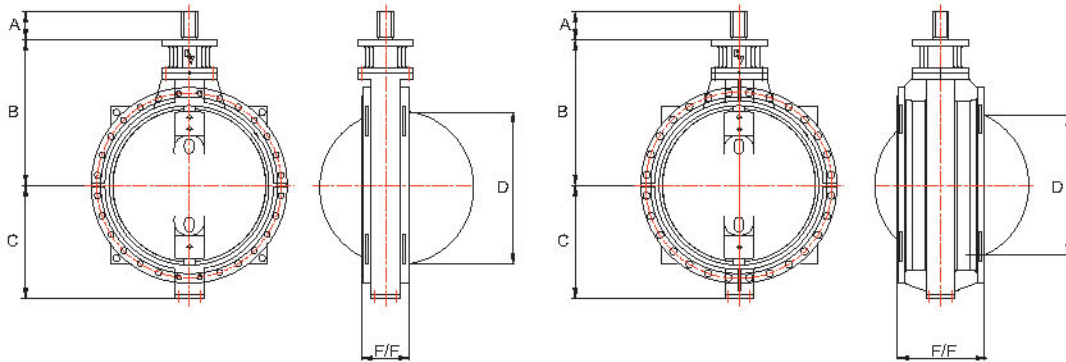
-XX XX X

Body		
Cast iron	23	GG25 Epoxy coated
Ductile iron	24	GGG40 Epoxy coated

Disc		
Ductile iron	24	GGG40 Epoxy coated
Stainless steel	63	CF8
Stainless steel	66	CF8M

Seat	
EPDM	E
NBR	B

DIMENSIONS



DN	NPS	BV13-SERIE 13					BV13-SERIE 14				
		A	B	C	D	F/F	A	B	C	D	F/F
200	8	50,0	308,0	210,0	183,0	152,0	50,0	308,0	210,0	35,0	230,0
250	10	54,5	360,0	214,0	228,0	165,0	54,5	360,0	214,0	135,0	250,0
300	12	63,5	423,0	262,0	283,0	178,0	63,5	423,0	262,0	200,0	270,0
350	14	54,0	452,0	307,0	333,0	190,0	54,0	452,0	307,0	260,0	290,0
400	16	66,5	488,0	343,0	381,0	216,0	66,5	488,0	343,0	312,0	310,0
450	18	59,5	516,0	371,0	437,0	222,0	59,5	516,0	371,0	370,0	330,0
500	20	81,0	560,0	420,0	479,0	229,0	81,0	560,0	420,0	412,0	350,0
600	24	90,0	631,0	440,0	578,0	267,0	90,0	631,0	440,0	510,0	390,0
700	28	103,0	671,0	518,0	672,0	292,0	103,0	671,0	518,0	607,0	430,0
800	32	126,0	731,0	573,0	773,0	318,0	126,0	731,0	573,0	709,0	470,0
900	36	157,0	789,0	629,0	875,0	330,0	157,0	789,0	629,0	805,0	510,0
1000	40	177,0	914,0	713,0	962,0	410,0	177,0	914,0	713,0	898,0	550,0
1200	48	171,0	1023,0	820,0	1139,0	470,0	171,0	1023,0	820,0	1083,0	630,0
1400	56	242,0	1255,0	1091,0	1353,0	530,0	242,0	1255,0	1091,0	1283,0	710,0
1600	64	234,0	1365,0	1236,0	1546,0	600,0	234,0	1365,0	1236,0	1471,0	790,0
1800	72	309,0	1603,0	1446,0	1748,0	670,0	309,0	1603,0	1446,0	1670,0	870,0
2000	80	303,0	1630,0	1486,0	1864,0	760,0	303,0	1630,0	1486,0	1863,0	950,0

mm inches

Dimensions in mm

all dimensions are subject to revision without prior notice