

BV 10-TFM

BV 12-TFM

EXECUTION

TECHNICAL SPECIFICATIONS

- Face to face according to DIN 3202/K1 - BS5155 - ISO 5752 - API 609
- Long neck execution
- Wafer type with 2 centre holes : Type BV10
- Lug type with threaded holes : Type BV12
- Actuator mounting flange according to ISO 5211
- Mounting between flanges DIN PN6/10/16, ANSI 150
- Two piece body in GGG40.3
- Disc and stem in one piece design
- Min. 3 mm PFA covering to obtain good corrosion and diffusion resistance
- Min. 3 mm TFM liner, vacuumtight
- Elastic elastomers obtain gastightness
- Wide TFM flangesealing area
- Leakagefree sealing by constant pressure of belleville rings
- Maintenance free stem bearing



MATERIAL

BV10
BV12

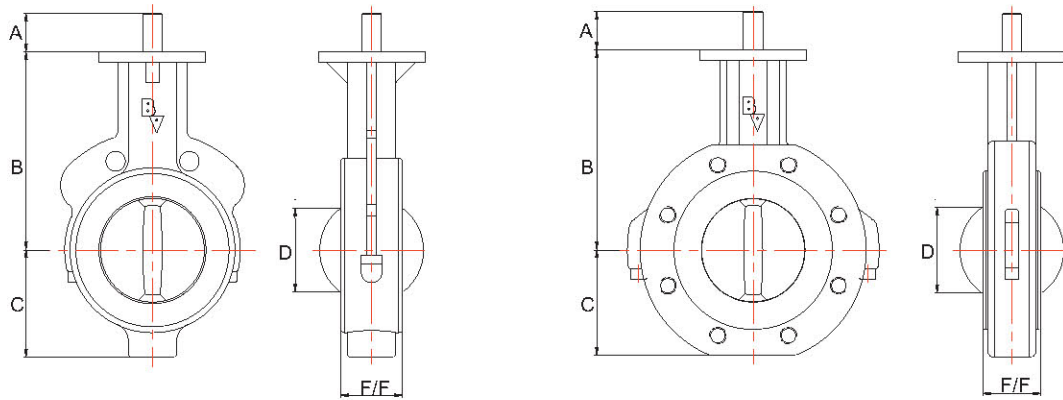
-XX XX X

Body		
Ductile iron	29	GGG40.3
Stainless steel	66	CF8M
Stainless steel	69	CF8M polished

Disc		
Stainless steel	66	CF8M
Stainless steel	69	CF8M polished
PFA	77	PFA coated

Seat	
TFM	T

DIMENSIONS



DN	NPS	BV10 - TFM					BV12 - TFM				
		A	B	C	D	F/F	A	B	C	D	F/F
40	1 1/2	19,0	95,0	70,0	34,0	33,0	19,0	95,0	70,0	34,0	33,0
50	2	19,0	130,0	56,0	31,0	43,0	19,0	130,0	58,0	31,0	43,0
65	2 1/2	19,0	146,0	67,0	48,0	46,0	19,0	146,0	65,0	48,0	46,0
80	3	19,0	165,0	84,0	63,0	46,0	19,0	165,0	88,0	63,0	46,0
100	4	25,0	185,0	100,0	90,0	52,0	25,0	185,0	102,0	90,0	52,0
125	5	25,0	202,0	110,0	118,0	56,0	25,0	202,0	116,0	118,0	56,0
150	6	30,0	217,0	125,0	137,0	56,0	30,0	217,0	127,0	137,0	56,0
200	8	26,0	245,0	158,0	189,0	60,0	26,0	245,0	160,0	189,0	60,0
250	10	30,0	270,0	190,0	239,0	68,0	30,0	270,0	193,0	239,0	68,0
300	12	30,0	308,0	225,0	290,0	78,0	30,0	308,0	227,0	290,0	78,0
350	14	37,0	330,0	256,0	328,0	92,0	37,0	330,0	256,0	328,0	92,0
400	16	37,0	365,0	292,0	377,0	102,0	37,0	365,0	292,0	377,0	102,0
450	18	50,0	400,0	311,0	417,0	114,0	50,0	400,0	311,0	417,0	114,0
500	20	50,0	435,0	340,0	477,0	127,0	50,0	435,0	340,0	477,0	127,0
600	24	64,0	510,0	398,0	560,0	154,0	64,0	510,0	398,0	560,0	154,0
750	30	90,0	608,0	482,0	716,0	154,0	90,0	608,0	482,0	716,0	154,0
900	36	90,0	684,0	573,0	860,0	154,0	90,0	684,0	573,0	860,0	154,0
1050	42	90,0	768,0	660,0	1009,0	154,0	90,0	768,0	660,0	1009,0	154,0
mm	inches										

Dimensions in mm

all dimensions are subject to revision without prior notice

high performance

			WAFER		LUG	
			DIN	ANSI	DIN	ANSI
FLANGE according to	EN 10921	PN 10 - PN 16 - PN 25 - PN 40				
	ASME/ANSI B16.5	class 150 - class 300 - class 600				
	ASME/ANSI B16.47	series A/B for class 150 - class 300 - class 600				
	API 605 / MSS-SP-44	class 150 - class 300 - class 600				
	BS 3293	class 150 - class 300 - class 600				
	JIS B2210	10 k - 16 k - 20 k				
	ASME B16.25	Buttwelding Ends				

FACE-to-FACE according to (*)	ISO 5752	Serie 13				
	ISO 5752	Serie 14				
	ISO 5752	Serie 20				
	API 609	Category A, B, Double flanged short				
	MSS-SP-68	Table 1, 2				

DESIGN according to	EN 593					
	ASME B16.34					
	MSS SP67					
			DN 50 – 1800 / NPS 2 – 72 DESIGNED ACCORDING TO		DN 50 – 1800 / NPS 2 – 72 DESIGNED ACCORDING TO	
			with central lugs		Valve with lugs with internally threaded holes	
			DN / NPS all sizes		DN / NPS all sizes	
(*) For more corresponding F/F standards, kindly check the file on page 27						

FEATURES	DISC construction	concentric				
		eccentric				
	SEAT execution	soft (PTFE / RTFE)				
		metal				
		fire-safe				

BVTYPE	BV10-HP	BV12-HP
BV description	WAFER HIGH PERFORMANCE	LUG HIGH PERFORMANCE