

BV 10-U

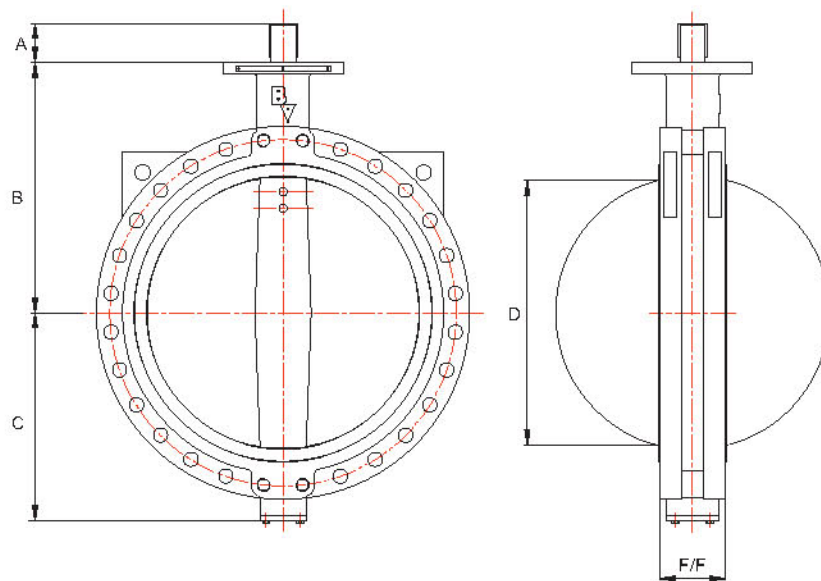
BV 11

BV 12-U

U-section design



DIMENSIONS



DN	NPS	BV10-U / BV11 / BV12-U					BV10-U	BV11	BV12-U
		A	B	C	D	F/F			
200	8	34,5	260,0	175,0	194,0	60,0		U/R	U/R
250	10	34,5	292,0	202,5	242,0	68,0		U/R	U/R
300	12	34,5	337,0	242,0	292,0	78,0		U/R	U/R
350	14	65,0	364,0	267,0	325,0	78,0			U/R
400	16	75,0	400,0	309,0	377,0	102,0			U/R
450	18	75,0	422,0	337,0	426,0	114,0			U/R
500	20	90,0	480,0	371,0	475,0	127,0			U/R
600	24	100,0	562,0	459,0	572,0	154,0			U/R
700	28	85,0	626,0	527,0	674,0	165,0			
750	30	85,0	660,0	566,4	726,0	167,0			
800	32	100,0	666,0	605,0	772,0	190,0			
900	36	118,0	720,0	668,0	840,0	203,0			
1000	40	140,0	806,0	728,0	940,0	216,0			
1050	42	150,0	858,0	790,5	992,0	251,0			
1100	44	150,0	850,0	760,0	1115,0	251,0			
1200	48	150,0	938,0	868,0	1132,0	254,0			
mm	inches								

Dimensions in mm ; U/R = Upon Request

all dimensions are subject to revision without prior notice