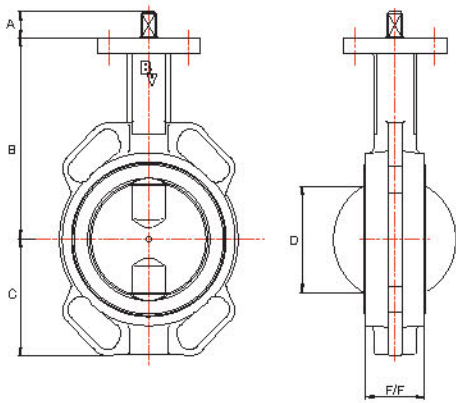


BV 10



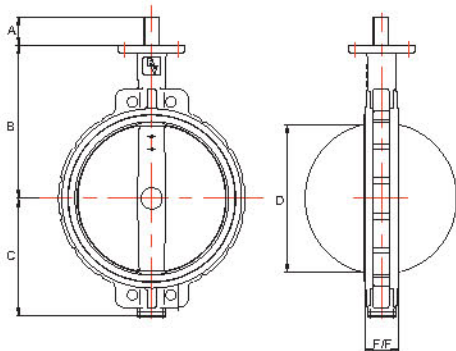
DIMENSIONS



DN	NPS	BV10					BV10-NP				
		A	B	C	D	F/F	A	B	C	D	F/F
32	1 1/4	22,0	110,0	57,0	(*)	33,0	U/R	U/R	U/R	U/R	U/R
40	1 1/2	22,0	110,0	89,0	29,0	33,0	U/R	U/R	U/R	U/R	U/R
50	2	22,0	142,7	71,4	30,0	43,0	22,0	141,0	64,0	30,0	43,0
65	2 1/2	22,0	155,4	77,8	45,0	46,0	22,0	153,0	71,0	45,0	46,0
80	3	22,0	161,8	89,0	64,0	46,0	22,0	157,0	94,0	64,0	46,0
100	4	22,0	178,0	102,0	90,0	52,0	22,0	176,0	108,5	90,0	52,0
125	5	22,0	190,5	123,0	110,0	56,0	22,0	191,0	120,0	110,0	56,0
150	6	22,0	205,2	138,0	146,0	56,0	22,0	202,0	135,0	146,0	56,0
200	8	34,5	237,0	168,0	194,0	60,0	34,5	243,5	165,2	194,0	60,0
250	10	34,5	268,3	207,0	242,0	68,0	34,5	273,0	202,0	242,0	68,0
300	12	34,5	308,5	243,5	292,0	78,0	34,5	311,0	235,0	292,0	78,0
mm											
inches											

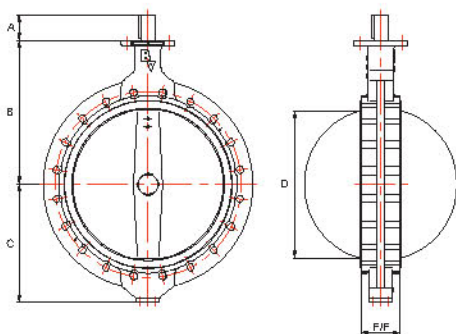
Dimensions in mm ; U/R = Upon Request

(*) For this size, the open disc dimension is covered by F/F



DN	NPS	BV10				
		A	B	C	D	F/F
350	14	65,0	368,0	259,0	325,0	78,0
400	16	75,0	400,0	309,0	377,0	102,0
450	18	75,0	422,0	327,0	426,0	114,0
500	20	90,0	480,0	363,0	475,0	127,0
mm						
inches						

Dimensions in mm



DN	NPS	BV10				
		A	B	C	D	F/F
600	24	100,0	562,0	459,0	572,0	154,0
700	28	85,0	626,0	518,0	674,0	165,0
800	32	100,0	666,0	605,0	772,0	190,0
900	36	118,0	722,0	655,0	840,0	203,0
1000	40	140,0	806,0	713,0	940,0	216,0
1200	48	150,0	938,0	855,0	1132,0	254,0
mm						
inches						

Dimensions in mm

all dimensions are subject to revision without prior notice