



# KNIFE-GATE VALVES

# A SERIES

## SINGLE-ACTING PNEUMATIC CYLINDER

- CMO single-acting pneumatic actuators are designed to work at a pressure between 6 and 10 kg/cm<sup>2</sup>.
- 10 Kg/cm<sup>2</sup> is the maximum admissible air pressure. For air pressures below 6 Kg/cm<sup>2</sup> please consult manufacturer.
- Available for opening or closing in case of failure (spring opening or closing).
- The jacket is made of aluminium, the covers of nodular cast iron or carbon steel, the rod of AISI304, the piston of rubber-coated steel, the O-ring seals of nitrile and the spring is made of steel.
- The actuator design is spring activated for valves with diameters up to ND300. For larger diameters the actuator contains a double-acting cylinder and an air tank which stores the volume of air necessary to perform the last movement in the event of a fault.
- **B = Max. width** of the valve (without actuator)  
**D = Max. height** of the valve (without actuator)
- Available: ND50 to ND1200, other ND on request.

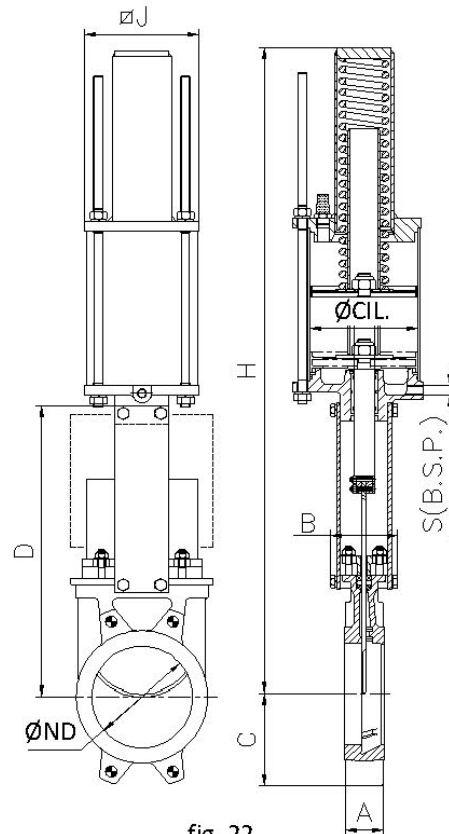


fig. 22

**Note:** Please see the "CMO Pneumatic Actuators" catalogue if you require further information.

ND	ΔP (Kg/cm <sup>2</sup> )	DRAW (Nw)	A	B	C	D	Ø CIL.	ØJ	S (B.S.P.)	Ø ROD	H	Weight (kg.)
50	10	815	40	91	61	241	125	135	1/4"	25	781	19
65	10	1375	40	91	68	268	125	135	1/4"	25	806	22
80	10	2083	50	91	91	294	125	135	1/4"	25	833	23
100	10	3252	50	91	104	334	125	135	1/4"	25	873	24
125	10	5080	50	101	118	367	160	170	1/4"	30	909	35
150	10	7316	60	101	130	419	160	170	1/4"	30	960	36
200	8	13017	60	118	159	525	200	215	3/8"	30	1355	66
250	6	20352	70	118	196	626	250	270	3/8"	40	1844	130
300	6	29342	70	118	230	726	250	270	3/8"	40	2005	143

Table 10