



# KNIFE-GATE VALVES

# A SERIES

## LEVER

- It is a fast actuator
- **B = Max. width** of the valve (without actuator)  
**D = Max. height** of the valve (without actuator)
- The actuator includes:
  - Lever
  - Rod
  - Guide bearing
  - External limiting switches to maintain the position
- Available: ND50 to ND300, other ND on request.

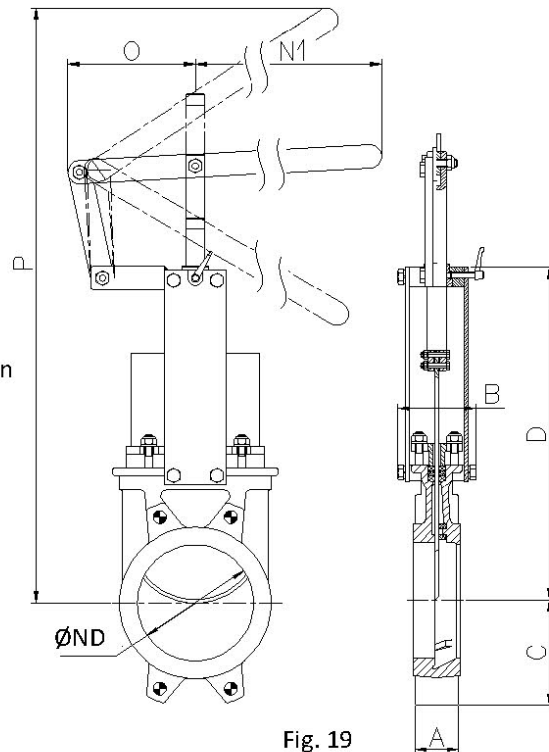


Fig. 19

ND	$\Delta P$ (Kg/cm <sup>2</sup> )	DRAW (Nw)	A	B	C	D	N	O	P	Weight (kg.)
50	10	815	40	91	61	241	325	155	504	8
65	10	1375	40	91	68	268	325	155	526	9
80	10	2083	50	91	91	294	325	155	549	10
100	10	3252	50	91	104	334	325	155	605	11
125	10	5080	50	101	118	367	425	155	902	14
150	10	5134	60	101	130	419	425	155	956	16
200	8	9138	60	118	159	525	620	290	1027	32
250	6	10227	70	118	196	626	620	290	1416	54
300	6	14748	70	118	230	726	620	290	1525	57

Table 7