



KNIFE-GATE VALVES

A SERIES

HYDRAULIC ACTUATOR (Oil pressure: 135 Kg/cm²)

- **B = Max. width** of the valve (without actuator)
- **D = Max. height** of the valve (without actuator)
- The hydraulic actuator includes:
 - Hydraulic cylinder
 - Puente
- Available: ND 50 a ND 2000
- Different types and brands available according to customer's requirements.

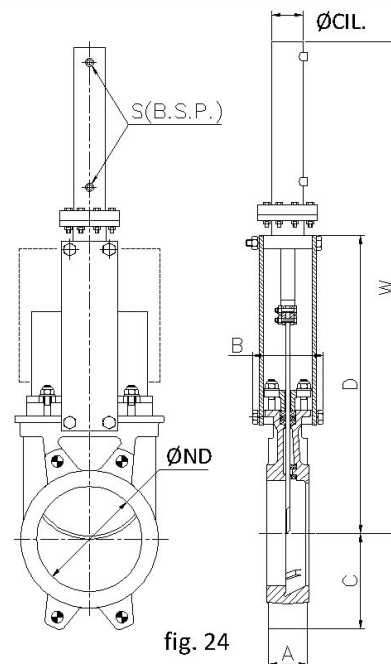


fig. 24

ND	ΔP Kg/cm ²	DRAW (Nw)	A	B	C	D	W	Ø CYL.	S (B.S.P.)	Oil Cap. (dm ³)	Ø ROD	Wei ght (kg.)
50	10	815	40	91	61	241	457	25	3/8"	0.03	18	7
65	10	1375	40	91	68	268	500	25	3/8"	0.03	18	8
80	10	2083	50	91	91	294	560	25	3/8"	0.04	18	9
100	10	3252	50	91	104	334	620	32	3/8"	0.09	22	12
125	10	5080	50	101	118	367	683	32	3/8"	0.11	22	15
150	10	5134	60	101	130	419	755	40	3/8"	0.20	28	20
200	8	9138	60	118	159	525	926	50	3/8"	0.27	28	31
250	6	10227	70	118	196	626	1077	50	3/8"	0.33	28	44
300	6	14748	70	118	230	726	1246	50	3/8"	0.97	28	62
350	5	16064	96	290	254	797	1376	50	3/8"	1.13	28	100
400	5	21042	100	290	287	903	1532	63	3/8"	1.29	36	138
450	3	20043	106	290	304	989	1707	63	3/8"	2.31	36	161
500	3	24883	110	290	340	1101	1869	63	3/8"	2.58	36	223
600	3	36081	110	290	398	1307	2176	80	3/8"	3.09	45	325
700	2	39945	110	320	453	1506	2525	80	1/2"	5.66	45	481
800	2	43493	110	320	503	1720	2839	100	1/2"	6.46	56	678
900	2	55024	110	320	583	1953	3172	100	1/2"	7.25	56	861
1000	2	68580	110	320	613	2137	3496	125	1/2"	8.05	70	1103
1100	2	83196	150	340	670	2375	3760	125	1/2"	8.84	70	1266
1200	2	99026	150	340	728	2616	4174	125	1/2"	9.62	70	1430
1300	2	117653	150	390	787	2882	4451	160	1/2"	10.45	70	1647
1400	2	136884	150	390	837	3250	4939	160	1/2"	11.39	70	N.D.
1500	2	158591	170	426	890	3517	5286	160	1/2"	12.02	70	N.D.
1600	2	180653	170	426	957	3775	5658	160	1/2"	20.00	70	N.D.
1700	2	204052	190	440	1010	4008	5991	200	1/2"	21.23	90	N.D.
1800	2	230715	190	440	1057	4242	6325	200	1/2"	22.46	90	N.D.
1900	2	258472	210	480	1110	4390	6578	200	1/2"	23.75	90	N.D.
2000	2	289155	210	480	1162	4540	6828	200	1/2"	24.97	90	N.D.

N.D.: Weight not given

Table 12

C.M.O.

Amategui Aldea 142, 20400 Txarama-Tolosa (SPAIN)

TEC-A.EN05

Tel. Nacional: 902.40.80.50 Fax: 902.40.80.51 / Tel. Internacional: 34.943.67.33.99 Fax: 34.943.67.24.40

cmo@cmo.es <http://www.cmo.es>

Page 19