



KNIFE-GATE VALVES

A SERIES

ELECTRIC ACTUATOR

- This actuator is automatic and includes the following parts:
 - Electric motor
 - Stem
 - Yoke
- The electric motor includes:
 - Emergency manual handwheel
 - Limit switches
 - Torque switches
- Options:
 - Different types and brands
 - Non-rising stem
- ISO 5210 / DIN 3338 Flanges
- Available: ND 50 to ND 2000, other ND on request.
- From DN500 the motor is assisted with a gear box.

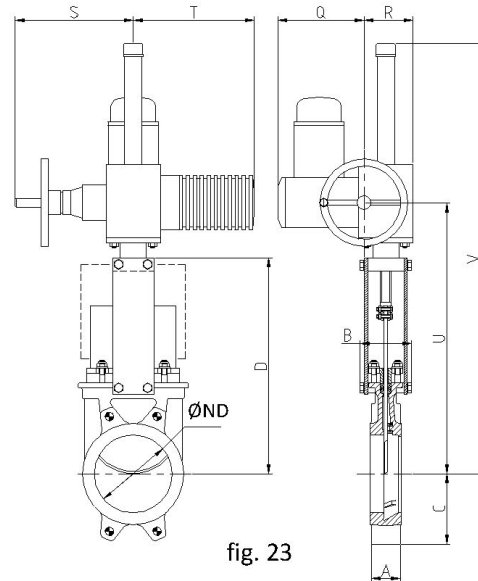


fig. 23

ND	ΔP (Kg/cm ²)	DRAW (Nw)	TORQ. (Nm)	A	B	C	D	Q	R	S	T	U	V	Weight (kg.)
50	10	815	1.86	40	91	61	241	197	102	234	265	347	587	24
65	10	1375	3.14	40	91	68	268	197	102	234	265	374	614	25
80	10	2083	4.76	50	91	91	294	197	102	234	265	400	640	26
100	10	3252	7.43	50	91	104	334	197	102	234	265	440	680	27
125	10	5080	11.6	50	101	118	367	197	102	234	265	473	713	30
150	10	5134	11.7	60	101	130	419	197	102	234	265	525	765	32
200	8	9138	26.1	60	118	159	525	197	102	234	265	640	880	42
250	6	10227	29.2	70	118	196	626	197	102	234	265	741	981	55
300	6	14748	42.1	70	118	230	726	197	102	234	265	841	1141	72
350	5	16064	62.3	96	290	254	797	197	115	256	282	944	1347	99
400	5	21042	81.6	100	290	287	903	197	115	256	282	1050	1550	136
450	3	20043	77.7	106	290	304	989	222	153	325	385	1147	1847	166
500	3	24883	96.5	110	290	340	1101	222	153	325	385	1259	1959	245
600	3	36081	139.9	110	290	398	1307	222	153	325	385	1465	2165	362
700	2	39945	180.1	110	320	453	1506	222	153	325	385	1651	2451	432
800	2	43493	237.8	110	320	503	1720	222	153	332	385	1865	2665	630
900	2	55024	300.9	110	320	583	1953	222	153	332	385	2098	2998	764
1000	2	68580	374.9	110	320	613	2137	222	153	332	385	2288	3178	998
1100	2	83196	539.8	150	340	670	2375	227	195	355	510	2575	3675	1194
1200	2	99026	642.5	150	340	728	2616	227	195	355	510	2866	4042	1350
1300	2	117653	763.3	150	390	787	2882	227	195	355	510	3082	4382	1452
1400	2	136884	888.1	150	390	837	3250	222	153	332	385	3395	4852	N.D.
1500	2	158591	1190.6	170	426	890	3517	222	153	332	385	3662	5217	N.D.
1600	2	180653	1518.6	170	426	957	3775	227	195	355	510	3975	5575	N.D.
1700	2	204052	1715.2	190	440	1010	4008	227	195	355	510	1210	5908	N.D.
1800	2	230715	1939.4	190	440	1057	4242	227	195	355	510	1257	6242	N.D.
1900	2	258472	2172.6	210	480	1110	4390	227	195	355	510	4590	6490	N.D.
2000	2	289155	2760.9	210	480	1162	4540	227	195	355	510	4740	6740	N.D.

N.D.: Weight not given

Table 11

C.M.O.

Amategui Aldea 142, 20400 Txarama-Tolosa (SPAIN)

TEC-A.EN05

Tel. Nacional: 902.40.80.50 Fax: 902.40.80.51 / Tel. Internacional: 34.943.67.33.99 Fax: 34.943.67.24.40

cmo@cmo.es <http://www.cmo.es>

Page 18