



# KNIFE-GATE VALVES

# A SERIES

## CHAINWHEEL

- Widely used in raised installations with difficult access, the handwheel is fitted in vertical position.

- B = Max. width** of the valve (without actuator)
- D = Max. height** of the valve (without actuator)

- Options:
  - Locking devices
  - Extensions: stand, pipe, plates...
  - Non-rising stem
  - DN higher than those give in the table

- Including:
  - Handwheel
  - Stem
  - Nut
  - Hood

- Available: ND50 to ND1200, other ND on request.

- From DN600 the actuator is with gears, see \* in table.

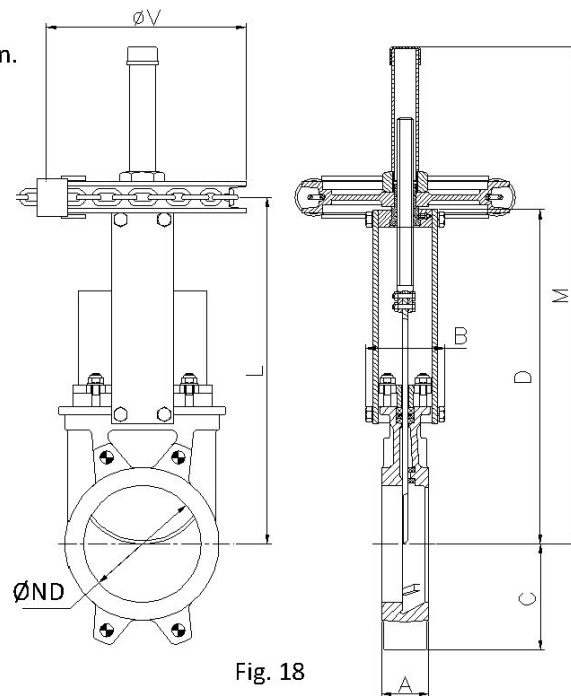


Fig. 18

ND	$\Delta P$ (Kg/cm <sup>2</sup> )	DRAW (Nw)	TORQ. (Nm)	A	B	C	D	L	M	$\phi V$	Weight (kg.)
50	10	815	1.86	40	91	61	241	280	410	225	7
65	10	1375	3.14	40	91	68	268	308	437	225	8
80	10	2083	4.76	50	91	91	294	333	463	225	9
100	10	3252	7.43	50	91	104	334	373	503	225	11
125	10	5080	11.6	50	101	118	367	407	586	225	13
150	10	5134	11.7	60	101	130	419	458	638	225	17
200	8	9138	26.1	60	118	159	525	578	816	300	29
250	6	10227	29.2	70	118	196	626	679	1017	300	40
300	6	14748	42.1	70	118	230	726	779	1117	300	53
350	5	16064	62.3	96	290	254	797	906	1337	402	93
400	5	21042	81.6	100	290	287	903	1012	1443	402	126
450	3	20043	77.7	106	290	304	989	1098	1629	402	160
500	3	24883	96.5	110	290	340	1101	1210	1741	402	193
600	3	36081	139.9	110	290	398	1307	1416	2047	402	264
700	2	39945	180.1	110	320	453	1506	1658	2406	402*	435
800	2	43493	237.8	110	320	503	1720	1905	2790	402*	580
900	2	55024	300.9	110	320	583	1953	2115	3130	402*	740
1000	2	68580	374.9	110	320	613	2137	2310	3440	402*	925
1200	2	99025	642.5	150	340	728	2616	2815	4050	402*	1350

Table 6

C.M.O.

Amategui Aldea 142, 20400 Txarama-Tolosa (SPAIN)

TEC-A.EN05

Tel. Nacional: 902.40.80.50 Fax: 902.40.80.51 / Tel. Internacional: 34.943.67.33.99 Fax: 34.943.67.24.40

cmo@cmo.es <http://www.cmo.es>

Page 13